

DESIGN GUIDE FOR FROST-PROTECTED SHALLOW FOUNDATIONS

Prepared for:

U.S. Department of Housing and Urban Development
Office of Policy Development and Research

Prepared by:

NAHB Research Center
Upper Marlboro, MD

Instrument No. DU100K000005897

June 1994

Notice

The U.S. Government does not endorse products or manufacturers. Trade or manufacturers' names appear herein solely because they are considered essential to the object of this report.

The contents of this report are the views of the contractor and do not necessarily reflect the views or policies of the U.S. Department of Housing and Urban Development or the U.S. Government.


Foreword

It is a rare occurrence for an innovative building technology to offer both lower initial costs and increased energy savings. The frost-protected shallow foundation technique (FPSF) outlined in this document is such a technology. Although the technique is new to United States builders and code officials, it has been used effectively in Scandinavia in more than one million homes.

Until now, U.S. home builders have placed their foundations below the frost line established by the local building department. As a result, in many regions of the country, deep crawl spaces and basements have become the norm adding significantly to the cost of construction. The frost-protected shallow foundation technology offers builders an opportunity to excavate less earth, use less material, and build homes more cost effectively.

This design guide presents an FPSF design procedure for slab-on-grade buildings and demonstrates the procedure with design examples. It is the result of nearly 10 years of research on the subject in the United States, as well as more than 40 years of research in Scandinavia. In addition, a simplified design method is presented in a form suitable for adoption by the major model building codes.

The *Design Guide For Frost-Protected Shallow Foundations* provides residential builders throughout cold-region communities with technical information that can reduce the cost of housing and thereby expand housing affordability and opportunity.



Michael A. Stegman
Assistant Secretary for Policy
Development and Research

ACKNOWLEDGEMENTS

This report was prepared by the NAHB Research Center for the U.S. Department of Housing and Urban Development. Special appreciation is extended to NAHB members Bill Eich, Gerald Eid, Tim Duff, Jess Hall and their staffs, for constructing the five demonstration homes; Richard Morris, National Association of Home Builders, for initiating the technology transfer into the United States; Peter Steurer, National Oceanic and Atmospheric Administration, for providing and verifying proper methods of estimating long-term air-freezing indexes; Dow Chemical Company, Mid-America Molders, U.C. Industries, Inc., and Amoco Foam Products, for donation of insulation; and William Freeborne, U.S. Department of Housing and Urban Development, for guidance and review throughout the demonstration, testing, and development of this design guide for frost protection of shallow foundations.

In addition, the NAHB Research Center gives special recognition to The Society of the Plastics Industry, Inc., for several years of support that has helped to re-introduce this technology to the United States. Their sponsorship has promoted activities such as technology transfer from Europe, finite element computer modelling of heat transfer through foundations, development of design procedures for frost protection of foundations, formulation of important U.S. climate data for use in the design procedure, and initiating an interest in this technology at the level of the major U.S. building codes. These previous activities have contributed tremendously to this design document and development project.

The NAHB Research Center staff responsible for this document are:

Jay H. Crandell, P.E., principal investigator
Eric M. Lund, technical assistance
Mike G. Bruen, P.E., technical assistance
Mark S. Nowak, reviewer



Contents

List of Tables and Figures	vi
INTRODUCTION	1
FPSF DESIGN PROCEDURE	5
RECOMMENDED CONSTRUCTION METHODS AND DETAILS	13
COMMON QUESTIONS AND ANSWERS ABOUT FPSFS	21
FPSF DESIGN EXAMPLES	23
REFERENCES	29
APPENDIX: DESIGN DATA	A-1

List of Tables and Figures

Tables

Table 1.	Classification of Building Based on Indoor Air Temperature	5
Table 2.	Minimum Insulation Requirements for Frost Protected Footings With Heated Buildings	6

Figures

Figure 1.	Schematic of FPSF and Conventional Foundation Systems	1
Figure 2.	Frost Penetration into the Ground Under Various Conditions	2
Figure 3.	FPSF Heat Flow Diagram for a Heated Building with Optional Floor Insulation	3
Figure 4.	FPSF Design Parameters for Heated Buildings Using the Simplified Design Procedure	7
Figure 5.	FPSF Design Parameters for Heated Buildings	8
Figure 6.	FPSF Design Parameters for Unheated Buildings	10
Figure 7.	Illustrations of Cold Bridges	13
Figure 8.	Typical FPSF Monolithic Slab in Mild Climate	16
Figure 9.	Typical FPSF Monolithic Slab with Horizontal Wing Insulation for Colder Climates	16
Figure 10.	Independent Block Stem Wall with Insulation on Exterior Face of Wall ...	17
Figure 11.	Independent Stem Wall with Insulation on Exterior Face of Wall	18
Figure 12.	Typical Permanent Wood FPSF	18
Figure 13.	FPSF Design for Unheated Space with Independent Slab and Stem Wall ..	19
Figure 14.	FPSF Design for Unheated Buildings With Insulation in Single Plane	19
Figure 15.	Insulation Detail for Small Unheated Portion in an Otherwise Heated Building	20
Figure 16.	Insulation Detail for a Large Unheated area (e.g., Attached Garage)	20
Figure 17.	Design detail for example A	24
Figure 18.	Design detail for example B	26
Figure 19.	Design detail for example C	28

INTRODUCTION

A frost protected shallow foundation (FPSF) is a practical alternative to deeper, more-costly foundations in cold regions with seasonal ground freezing and the potential for frost heave. Figure 1 shows an FPSF and a conventional foundation. An FPSF incorporates strategically placed insulation to raise the frost depth around a building, thereby allowing foundation depths as shallow as 16 inches, even in the most severe climates. The most extensive use has been in the Nordic countries, where over one million FPSF homes have been constructed successfully over the last 40 years¹. The FPSF is considered standard practice for residential buildings in Scandinavia. The objective of this design guide is to assist U.S. builders, designers, code officials, and others in employing the technology.

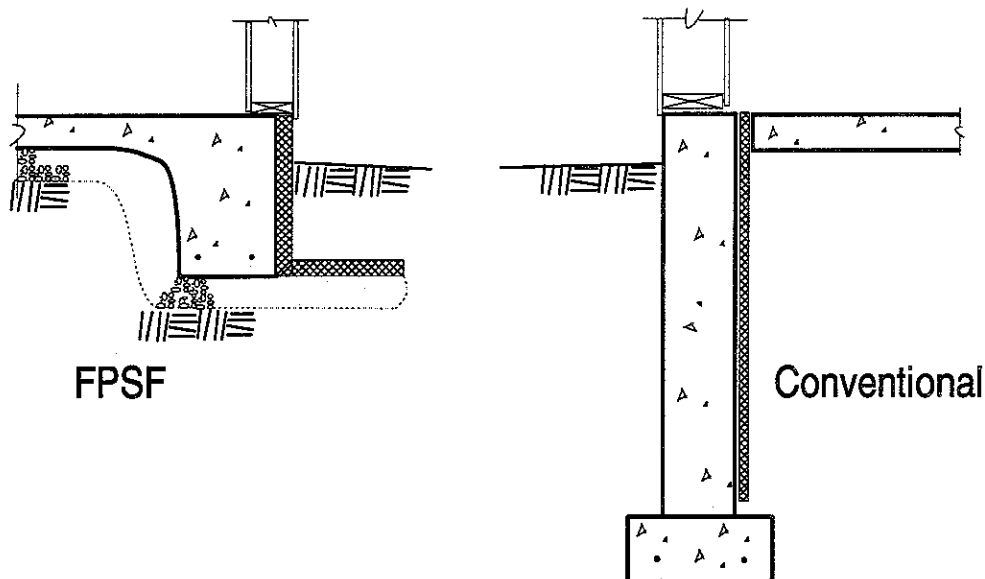


Figure 1. Schematic of FPSF and Conventional Foundation Systems

In northern U.S. climates, builders mitigate the effects of frost heave by constructing homes with basements, slabs, or crawlspaces with perimeter footings below the frost line. Other construction methods include:

- Piles or caissons extending below the frost-line
- Mat or reinforced structural slab foundations to resist heave
- Non-frost susceptible fills and drainage
- Adjustable foundation supports

¹ Morris, Richard A., *Frost-Protected Shallow Foundations: Current State-of-the-Art and Potential Application in the U.S.* Prepared for the Society of Plastics Industry, Inc., NAHB Research Center, Upper Marlboro, MD, August 1988.

INTRODUCTION

The FPSF allows builders to construct a structurally sound foundation at a lower cost than associated with these practices. Although this document is limited to slab foundations, the technology may also be used with crawlspace construction when ventilation is properly controlled. In addition to substantial initial cost savings, FPSFs provide an opportunity for increased energy savings because of their insulation requirements. These minimum insulation requirements for frost protection generally exceed existing energy code requirements (i.e., the CABO Model Energy Code) for foundation insulation.

The frost protected shallow foundation technology recognizes the thermal interaction of building foundations with the ground. Heat input to the ground from buildings effectively raises the frost depth at the perimeter of the foundation. This effect and other conditions that regulate frost penetration into the ground are illustrated in Figure 2.

It is important to note that the frost line rises near a foundation if the building is heated. This effect is magnified when insulation is strategically placed around the foundation. The FPSF also works on an unheated building by conserving geothermal heat below the building. Unheated areas of homes such as garages may be constructed in this manner.

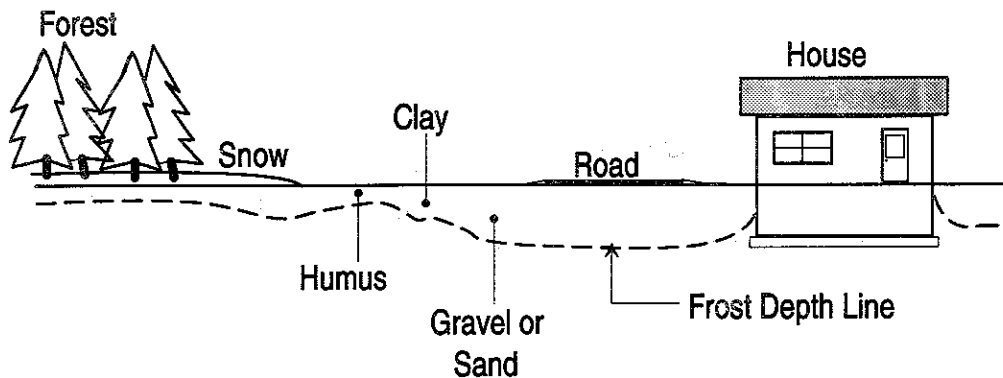


FIGURE 2. Frost Penetration into the Ground Under Various Conditions.

Figure 3 illustrates the heat exchange process in an FPSF, which results in a higher frost depth around the building. The insulation around the foundation perimeter conserves and redirects heat loss through the slab toward the soil below the foundation. Geothermal heat from the underlying ground also helps to raise the frost depth around the building.

FPSFs are most suitable for slab-on-grade homes on sites with moderate to low sloping grades. The method may, however, be used effectively with walk-out basements by insulating the foundation on the downhill side of the house, thus eliminating the need for a stepped footing. FPSFs are also useful for remodeling projects in part because they minimize site disturbance. In addition to residential, commercial, and agricultural buildings, the technology has been applied to highways, dams, underground utilities, railroads, and earth embankments.

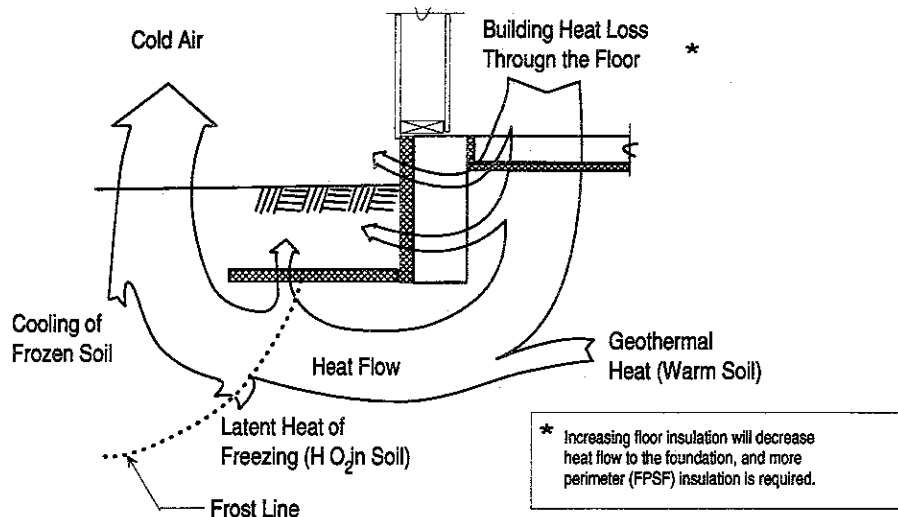


FIGURE 3. FPSF Heat Flow Diagram for a Heated Building with Optional Floor Insulation.

FPSFs have seen notable technological development and increased application in Europe over the past 40 years. Their most practical advancements in the understanding and application have come from the Nordic countries.

In the United States, slab-on-grade houses were constructed around the turn of the century in cold climates near Chicago. During the Depression, Frank Lloyd Wright designed and built a type of FPSF to meet affordability needs and used FPSF techniques in his "Usonian" style homes with shallow slab-on-grade foundations.

In the 1950s, Swedish and Norwegian researchers constructed the first experimental houses using insulated shallow foundations. These demonstration sites provided practical experience and empirical data on the FPSF technology. By 1972, nearly 50,000 slab-on-grade foundations had been built in Sweden, and the FPSF technology had gained wide acceptance. The Norwegians also recognized the need to address design recommendations for unheated portions of buildings such as air-lock entries and exterior stairways.

In the 1970s, the Scandinavian nations consolidated their research efforts in an attempt to address the FPSF technology. In 1972, the Royal Norwegian Council for Scientific and Industrial Research appropriated the equivalent of \$10-million² for the compilation and advancement of the Scandinavian work to date. The effort led to the 1976 publication, *Frost I Jord* ("Frost Action in the Ground"). Scandinavian engineers consider *Frost I Jord* a reliable guide for design against frost action in soils. Based on the results of the Frost I Jord Project, the Norwegian Building Research Institute started publication in 1978 of "Building Details" related to FPSF design and construction.

²1988 exchange rate.

INTRODUCTION

In the United States, FPSF technology has been used in engineered structures and is common practice for residential construction on crawlspace foundations in areas of Alaska. However, the major model building codes do not specifically recognize the FPSFs equivalence to footings placed below a prescribed frost depth. Recent amendments to the *CABO One- and Two-Family Dwelling Code* and the *BOCA National Building Code* recognize performance-based criteria for frost protection but do not specifically mention FPSFs. Consequently, widespread use of the technology in residential buildings has not yet occurred. Efforts are underway to obtain U.S. building code approval.

This document, based on the European standards, presents an FPSF design procedure for slab-on-grade buildings, demonstrates the procedure with design examples, answers common questions about FPSFs, and recommends specific construction methods and details. Additionally, a simplified design method is presented in a form suitable for adoption by the major model building codes.

FPSF DESIGN PROCEDURE

APPLICATIONS/LIMITATIONS

This procedure addresses the design of frost-protected shallow foundations which use insulation to prevent frost heave in cold climates. It is specific to slab-on-grade foundations on residential homes but may also be used on commercial and agricultural structures. This design procedure does not apply to buildings on permafrost, to areas with mean annual temperatures less than 32°F (0°C), or to crawl-space construction.

The proper specification of insulation products is paramount to the success of an FPSF application. Few insulation products are able to maintain a dry R-value in a moist, below-ground environment over any great length of time. Insulation products specified for an FPSF must be rated with an effective R-value that can be maintained in such an environment for the expected life of the structure. Because some insulation materials resist water absorption less effectively than others, which in turn degrades their thermal resistance (R-values), insulation material should be specified carefully. The reader is directed to references listed in the bibliography for additional information on this issue.

Polystyrene insulation for below-ground, frost-protection applications in the U.S. must comply with the only available U.S. standard, ASTM C 578-92 for Rigid, Cellular Polystyrene Thermal Insulation. Although this standard does not provide for adjustment of thermal resistance in potentially moist, below-ground conditions, appropriate adjustment factors for EPS and XPS have been determined based on international knowledge and experience. The reader is referred to manufacturers for product-specific information.

This design procedure specifies insulation and foundation depths which ensure protection against frost heave damage for all types of soils. The procedure is conservative in that it assumes a 100-year return winter and no insulating ground vegetative or snow cover. The designer assumes responsibility for compliance with all local building and energy codes. This document addresses heated, unheated, and semi-heated structures as based on the expected average indoor monthly temperature range of the building from Table 1.

Table 1. Classification of building based on indoor air temperature, T.

AVERAGE MONTHLY INDOOR TEMPERATURE, T	CLASSIFICATION	TYPICAL TYPE OF STRUCTURE
$T > 63^{\circ}\text{F}$ (17°C)	Heated	Homes, Offices
41°F (5°C) $< T < 63^{\circ}\text{F}$ (17°C)	Semi-heated	Agricultural, Seasonal Use
$T < 41^{\circ}\text{F}$ (5°C)	Unheated	Garages, Exposed Slabs

FPSF DESIGN PROCEDURE

This design guide contains two approaches: a simplified design and a detailed design. The simplified method streamlines the design process of FPSFs for heated buildings. The procedure is in a form suitable for adoption by the major model building codes and is intended to promote widespread acceptance and use of the technology. In consolidating the design steps for the simplified method, R-values for the vertical insulation were established so that the performance level of various conditions, including slab surface temperatures, were conservatively accommodated. Therefore, more economical construction costs may be obtained when the detailed design procedure is followed. The detailed design procedure must be used when buildings include unheated areas such as attached garages.

SIMPLIFIED FPSF DESIGN METHOD

To use the simplified approach, the air freezing index (AFI) for the site location must be known. An AFI contour map is provided in the Appendix to assist in establishing this value. Insulation R-value and dimensions, and the depth of the footings are then determined from Table 2 and Figure 4. Horizontal insulation shall be bedded firmly on smooth ground or granular base. When foundation depths greater than 12 inches are required by Table 2, the increase in depth may be satisfied by substituting compacted gravel, crushed rock, sand, or approved non-frost susceptible materials.

**Table 2. MINIMUM INSULATION REQUIREMENTS
FOR FROST PROTECTED FOOTINGS
IN HEATED BUILDINGS¹**

Air Freezing Index (°F days) ²	Vertical Insulation R-Value ^{3,4}	Horizontal Insulation R-Value ^{3,5}		Horizontal Insulation Dimensions per Figure No. 16 (inches)			Minimum Footing Depth (inches)
		along walls	at corners	A	B	C	
1,500 or less	4.5	NR	NR	NR	NR	NR	12
2,000	5.6	NR	NR	NR	NR	NR	14
2,500	6.7	1.7	4.9	12	24	40	16
3,000	7.8	6.5	8.6	12	24	40	16
3,500	9.0	8.0	11.2	24	30	60	16
4,000	10.1	10.5	13.1	24	36	60	16

¹ Insulation requirements are for protection against frost damage in heated buildings. Greater values may be required to meet energy conservation standards. Interpolation between values is permissible.

² See Appendix for Air Freezing Index values.

³ Insulation materials shall provide the stated minimum R-values under long-term exposure to moist, below-ground conditions in freezing climates. The following R-values shall be used to determine insulation thicknesses required for this application: Type II expanded polystyrene - 2.4R per inch; Types IV, V, VI, VII extruded polystyrene - 4.5R per inch; Type IX expanded polystyrene - 3.2R per inch. NR indicates that insulation is not required.

⁴ Vertical insulation shall be expanded polystyrene insulation or extruded polystyrene insulation.

⁵ Horizontal insulation shall be extruded polystyrene insulation.

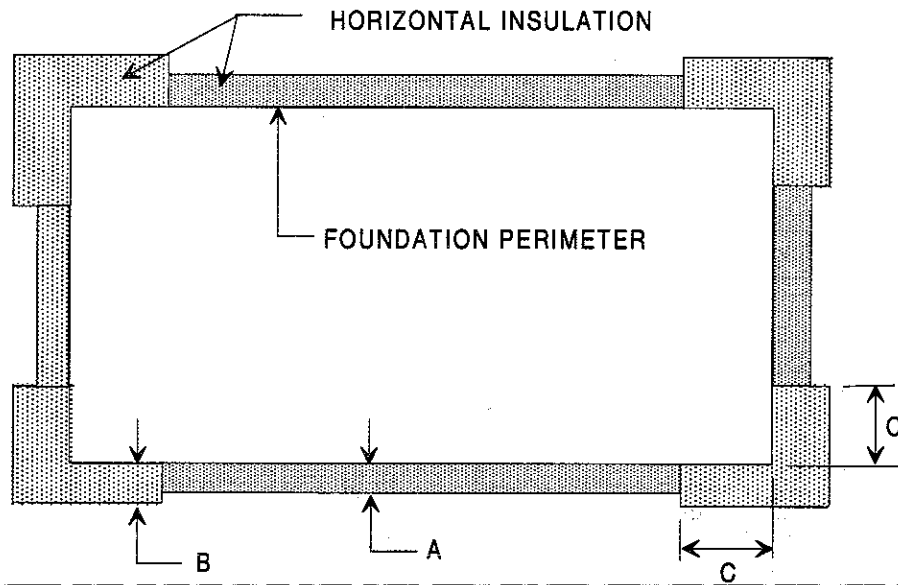
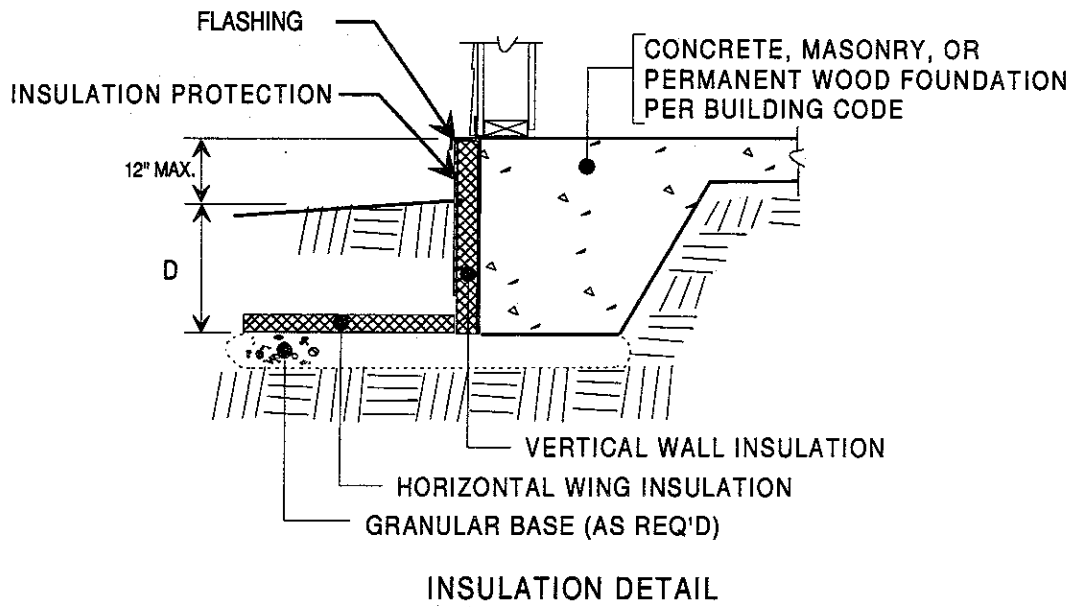


Figure 4. FPSF design parameters for heated buildings using the simplified design procedure.

DETAILED METHOD FOR HEATED BUILDINGS

In practice, there are many different combinations of vertical and horizontal insulation details, R-values, and footing depths that can be used in an FPSF. The detailed design approach is a flexible approach that allows the designer to utilize experience and select the preferred method of construction for a given site. For example, the designer may opt to provide vertical wall insulation only, wing insulation only at the corners, or provide wing insulation around the entire building. The designer also has the flexibility to step the footing to increase foundation depths, add wing insulation to reduce required foundation depths, or select the width of wing insulation in meeting the minimum requirements in the design process.

Figure 5 illustrates the variables for FPSF design. The Appendix contains figures and tables for determining and selecting the detailed design variables. The following steps outline the detailed design approach for heated buildings.

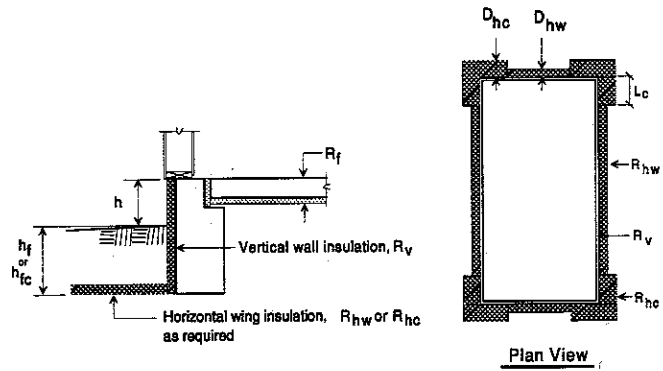


Figure 5. FPSF design parameters for heated buildings.

Step 1: Determine the Site’s design Air Freezing Index, F_n

Select the 100-year return period design air freezing index, F_{100} , from Figure A1 or Table A3. This information was prepared by the National Oceanic and Atmospheric Administration’s National Climatic Data Center specifically for use in FPSF design. The F_n values are conservative because they are not adjusted for the insulating benefit of a normal snow cover on the ground. A lower return period value may be used for less important structures or those that are resilient to infrequent ground freezing. See Table 3 for F_n values at return periods less than 100 years.

Step 2: Calculate the R-value for the Floor Slab Cross Section, R_f

Calculate the thermal resistance of the design floor slab, R_f , considering all insulating materials in the cross-section including any floor coverings. When determining R_f , dry condition R-values, as presented in Table A2, shall be used

for all materials, including insulation. If the floor cross section and resulting thermal resistance of the floor slab varies over its area, calculate R_f as the average over the perimeter 39 inches (1 m) of the floor. In superinsulated slabs where the calculated R_f value exceeds 28 R ($5.0 \text{ m}^2\text{-}^\circ\text{C}/\text{W}$), the designer must follow the design procedure for unheated buildings, since the heat from the building is substantially blocked from moving into the ground and protecting the foundation.

Step 3: Determine the Required R-value of Vertical Wall Insulation, R_v

Determine the minimum required thermal resistance of the vertical wall insulation, R_v , from Table A4 given h from Figure 5, F_n from Step 1, and R_f from Step 2.

Step 4: Select Thickness of Vertical Wall Insulation

Based on the required R_v value from Step 3, select an adequate thickness of vertical XPS or EPS insulation using the following effective resistivities: Type II EPS - 2.4 R per inch, Type IX EPS - 3.2 R per inch and Types IV, V, VI, VII XPS - 4.5 R per inch. Common nominal thicknesses are 1", 1-1/2", 2", and 3". The insulation shall extend from the bottom of the footing to the exterior wall envelope as shown in Figure 5.

Step 5: Select Foundation Depth or Horizontal Wing Insulation for Walls

Horizontal wing insulation is placed below ground extending outward from the vertical wall insulation as shown in Figure 5. For climates where F_n is less than 2,250°F-day, wing insulation along the walls is not required and the designer may proceed to Step 7. In more severe climates, where horizontal wing insulation is not desired, select the minimum foundation depth, H_f , from Table A5. When the designer desires to limit the foundation depth to 16 inches in severe climates ($F_n > 2,250^\circ\text{F-days}$), select the minimum width the wing shall extend from the foundation wall, D_{hw} , and the required minimum thermal resistance of insulation, R_{hw} , from Table A6.

Step 6: Select Thickness of Horizontal Wing Insulation for Walls

Based on the required R_{hw} value determined in Step 5, select an adequate thickness of XPS wing insulation using an effective resistivity of 4.5 R per inch. Wing insulation must have at least 10 inches of ground cover and meet flush with the vertical wall insulation.

Step 7: Select Foundation Depth or Horizontal Wing Insulation at Corners

Since more heat loss occurs at building corners than through mid-wall sections of heated buildings, additional frost protection in the form of horizontal wing insulation or a deeper foundation is required for more severe climates ($F_n > 2,250^\circ\text{F-days}$). Where horizontal wing insulation is not desired in any climate, select the minimum foundation depth at corners, H_{fc} , from Table A5. For a uniform foundation depth, $H_f = H_{fc}$, use Table A5 with 5.7R wing insulation applied to the corner regions. When the designer desires to limit the foundation depth at corners to 16 inches, select the minimum width the wing shall extend from the foundation wall, D_{hc} , and the required minimum required thermal resistance of insulation, R_{hc} , from Table A7. Based on the required R_{hc} , select an appropriate thickness of XPS wing insulation using an effective resistivity of 4.5 R per inch. The minimum distance the corner protection must extend from the corners, L_c , is also determined from Table A7.

DETAILED METHOD FOR UNHEATED BUILDINGS

In following the detailed design procedure for unheated buildings, the designer has the flexibility to increase foundation depths to reduce ground insulation requirements.

Figure 6 illustrates the variables for FPSF design of unheated buildings. The Appendix contains figures and tables for determining and selecting the design variables. The following steps outline the detailed design approach for unheated buildings.

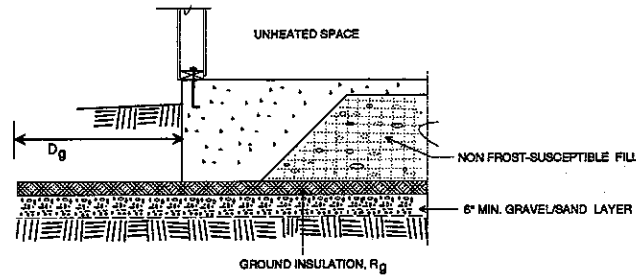


Figure 6. FPSF design parameters for unheated buildings.

Step 1: Determine Air Freezing Index, F_n , & Mean Annual Temp., MAT

Select the 100-year return period design air freezing index, F_{100} , from Figure A1 or Table A3. This information was prepared by the National Oceanic and Atmospheric Administration's National Climatic Data Center specifically for use in FPSF design. The F_n values are conservative because they are not adjusted for the insulating benefit of a normal snow cover on the ground. A lower return period value may be used for less important structures or those that are resilient to infrequent ground freezing, such as detached garages. See Table A3 for F_n values at return periods less than 100 years.

Step 2: Select Placement of Ground Insulation

A continuous ground insulation layer with a 6-inch gravel or other non-frost susceptible base must be placed below the entire foundation of unheated buildings. The ground insulation must extend outside the foundation a minimum width, D_g , determined from Table A8 and shown in Figure A3. In unheated building foundations, D_g is the same at both corner and wall locations. Outside the foundation perimeter, the insulation must have a minimum of 10 inches of soil cover. D_g may be reduced by 1 inch for every inch the insulation is buried beyond the 10 inch minimum cover.

Step 3: Select the Minimum Effective R-value of Ground Insulation, R_g

Select the minimum required R-value, R_g , required for the ground insulating layer from Table A8 based on F_n and MAT from Step 1. R_g may be reduced by 0.3 R for every 1-inch the underlying non-frost susceptible layer is increased beyond the 6 inch minimum thickness. R_g may also be reduced by 0.25 R for every 1-inch increase in soil cover, above the 10 inch minimum, over the ground insulation.

Step 4: Select Thickness of Ground Insulation

Based on the required R_g value determined in Step 3, select an adequate thickness of XPS ground insulation assuming an effective resistivity of 4.5 R/inch. Recommended nominal thicknesses of XPS are 1", 1-1/2", 2", and 3". In severe climates, insulation may need to be layered to meet the required thickness.

SPECIAL CONDITIONS

Small Unheated Areas in Otherwise Heated Buildings

Where small, (as defined in Figure A4 of the Appendix), unheated perimeter parts of an otherwise heated building are encountered, follow the design procedure for heated buildings and address the small unheated part as follows:

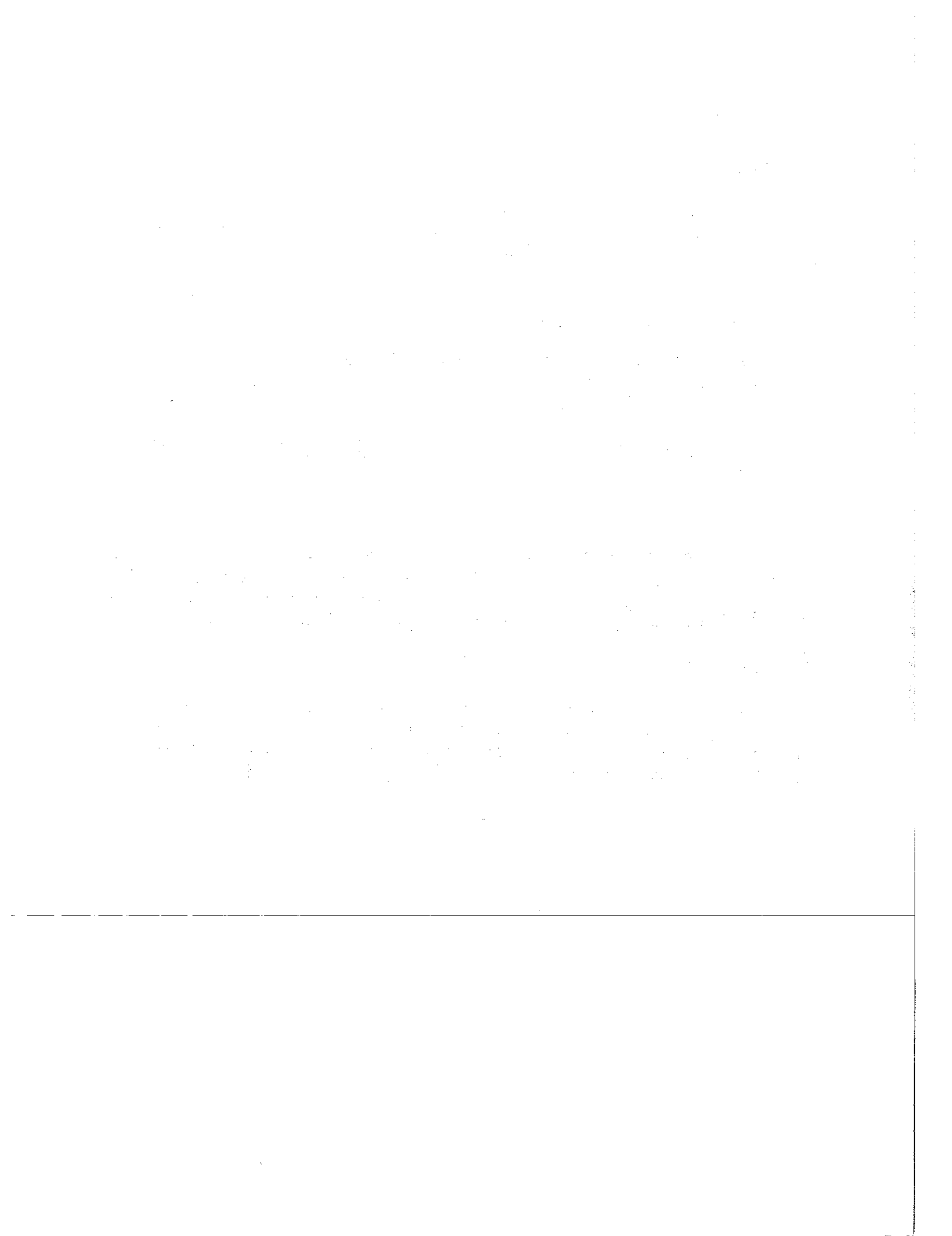
- Continue the vertical wall insulation of the heated part of the building along the exterior face of the small unheated part.
- Consider the small unheated area a corner location and provide protection, with wing insulation or increased foundation depth if desired, according to Step 7 of the design procedure for heated buildings.
- Provide ground insulation as required for unheated buildings under the small unheated area.

Large Unheated Areas in Heated Buildings

When an unheated building area does not meet the conditions for a small building part, it is considered a large unheated area. This situation is commonly encountered in homes with unconditioned attached garages. When large unheated areas are encountered, regard the heated and unheated sections as separate buildings and design the foundations accordingly.

Semi-Heated Buildings

If the anticipated operating conditions of the building are such that the lowest average internal monthly temperature of a building falls between 41 °F (5 °C) and 63 °F (17 °C), the building is considered semi-heated. In this case, design the foundation as a heated building and increase the minimum required foundation depth by 8 inches in both wall and corner areas.



RECOMMENDED CONSTRUCTION METHODS AND DETAILS

GENERAL

The construction of FPSF is similar to that of conventional foundation construction except for the insulation details. Many of the steps, such as rough grading, foundation layout, the preparation of subgrade, wall forming, steel reinforcing and casting of the concrete, are all similar to conventional practices.

FPSF can be constructed using one of many approaches, including a monolithic slab-on-grade, a independent slab and stem wall, or a permanent wood foundation. Although the details shown here illustrate techniques for the construction of new homes, the FPSF technique can also be applied to additions to homes with existing conventional foundations, and even walk out basements. Each of these options is explained in this section.

The FPSF construction details shown here reflect satisfactory practices for several typical situations. The drawings shown are generic in that they must be modified to meet the requirements specific to the site, such as insulation dimensions. Of key importance is the proper placement and sizing of the insulation.

Regardless of the option chosen, a few issues apply to the construction of any FPSF:

* **Cold bridges.** Cold bridges are created when building materials with high thermal conductivity, such as concrete, are directly exposed to outside temperatures (see Figure 7). Foundation insulation should be placed such that continuity is maintained with the insulation of the house envelope. Cold bridges may increase the potential for frost heave, or at the least, create localized lower temperatures or condensation on the slab surface. Care must be taken during construction to ensure proper installation of the insulation.

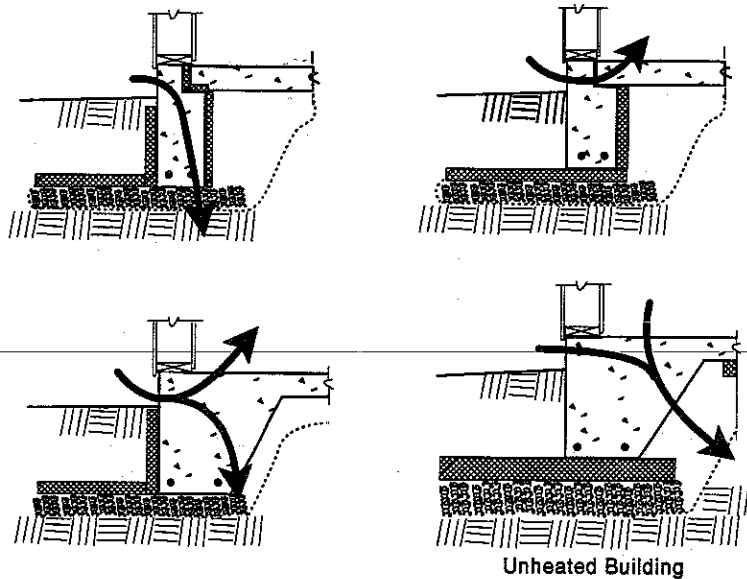


Figure 7. Illustrations of cold bridges

RECOMMENDED CONSTRUCTION METHODS AND DETAILS

* **Drainage.** Good drainage is important with any foundation and FPSF is no exception. Insulation performs better in drier soil conditions. Ensure that ground insulation is adequately protected from excessive moisture through sound drainage practices, such as sloping the grade away from the building. Insulation should always be placed above the level of the ground water table. A layer of gravel, sand, or similar material is recommended for improved drainage as well as to provide a smooth surface for placement of any horizontal wing insulation. A minimum 6-inch drain layer is required for unheated FPSF designs. Beyond the 12-inch minimum foundation depth required by building codes, the additional foundation depth required by an FPSF design may be made up of compacted, non-frost susceptible fill material such as gravel, sand, or crushed rock.

* **Slab surface temperatures (moisture, comfort, and energy efficiency).** The minimum insulation levels prescribed in this design procedure protect the foundation soil from frost. They also provide satisfactory slab surface temperatures to prevent moisture condensation and satisfy a minimum degree of thermal comfort. Since the design procedure provides minimum insulation requirements, the foundation insulation may be increased to meet special needs concerning these issues and energy efficiency. Successfully limiting cold bridging is critical -- use of the stem wall and slab technique (described later), in effect, adds a second thermal break between the slab and stem wall. Increasing the vertical wall insulation thickness above the minimum requirements for frost protection will also improve energy efficiency and thermal comfort. Selection of a finish floor material such as carpeting decreases the surface contact between occupant and the slab, giving a warmer feel.

* **Heated slabs and energy efficiency.** This design procedure can be applied to all slab-on-grade techniques, including those with in-slab heat which provide excellent thermal comfort. If an in-slab heating system is used, additional insulation below the slab and around the perimeter is recommended for improved energy efficiency.

* **Protecting the insulation.** Because the vertical wall insulation around a foundation extends above grade and is subject to ultraviolet radiation and physical abuse, that portion must be protected with a coating or covering that is both tough and durable. Some methods to consider are a stucco finish system or similar brush-on coatings, pre-coated insulation products, flashings, and pressure treated plywood. The builder should always verify that such materials are compatible with the insulation board. The protective finish should be applied before backfilling, since it must extend at least four inches below grade. Also, polystyrene insulation is easily broken down by hydrocarbon solvents such as gasoline, benzene, diesel fuel, and tar. Care should be taken to prevent insulation damage during handling, storage, and backfilling. Also, where termites are a concern, standard preventative practice such as soil treatment, termite shields, etc. is suggested.

* **Insulation specifications.** Because some insulation materials resist water absorption less effectively than others, which in turn degrades their thermal resistance (R-values), insulation material should be specified carefully. The following effective R-values shall be used to determine insulation thicknesses required for this application: Type II expanded polystyrene - 2.4 R per inch; Types IV, V, VI, VII extruded polystyrene - 4.5 R per inch; Type IX expanded polystyrene - 3.2 R per inch. Special applications, such as bearing structural loads from footings, may require higher density polystyrenes for the required compressive strengths. The builder is referred to manufacturers for product-specific information.

* **Doorways and Thresholds.** At doorways where the threshold overhangs the vertical wall insulation, the insulation should be cut out as required to provide solid blocking for adequate bearing and fastening of the threshold. The size of the cut-outs should be minimized.

* **Landscaping and wing insulation.** In situations where wide horizontal wing insulation is required (e.g., greater than 3 to 4 foot widths), this may deter the location of large plantings close to the home. In some of these cases, using thicker wing insulation or increasing the foundation depth will decrease the required width of the wing insulation.

* **Foundation height.** Given that most polystyrene insulation boards are typically available in 24 inch and 48 inch widths, 24 inches becomes a practical height for many foundations. This provides 16 inches of the foundation below grade and 8 inches above grade.

* **Excavation.** Generally, lightweight equipment is adequate for FPSFs because little excavation is required. As with any foundation, organic soil layers (top soil) should be removed to allow the foundation to bear on firm soil or compacted fills.

* **Construction scheduling.** The foundation should be completed and the building enclosed and heated prior to the freezing weather, similar to conventional construction practice.

MONOLITHIC SLAB

Construction of an FPSF monolithic slab is very similar to that of a conventional slab. (See Figures 8 and 9). The only step requiring additional consideration is whether to place the insulation before or after the pouring of the slab. Tacking the vertical insulation in place with nails after the pour is a simple technique, made even easier if it is done when the concrete is new, or "green".

As an alternative installation technique, the vertical insulation boards may be tacked in place to the inside of the formwork before the pouring of concrete. This technique allows the insulation to adhere, or if nails are used, to fasten to the concrete and eliminates the necessity for securing the insulation to the wall later. If the insulation is installed in this manner, it should be noted that the foundation line is actually at the inside face of the insulation board, which may affect overall dimensions used for framing.

If both vertical and horizontal insulation are used, the vertical wall insulation should be placed first. The horizontal insulation, where used, is then placed directly on the subgrade, or on the gravel drainage layer, if provided. Measures should be taken to ensure a smooth bed for the horizontal insulation, and sub-slab insulation, if used.

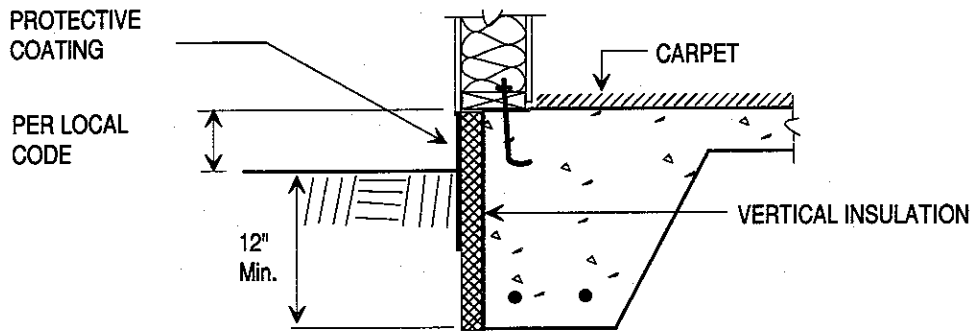


Figure 8. Typical FPSF monolithic slab in a mild climate.

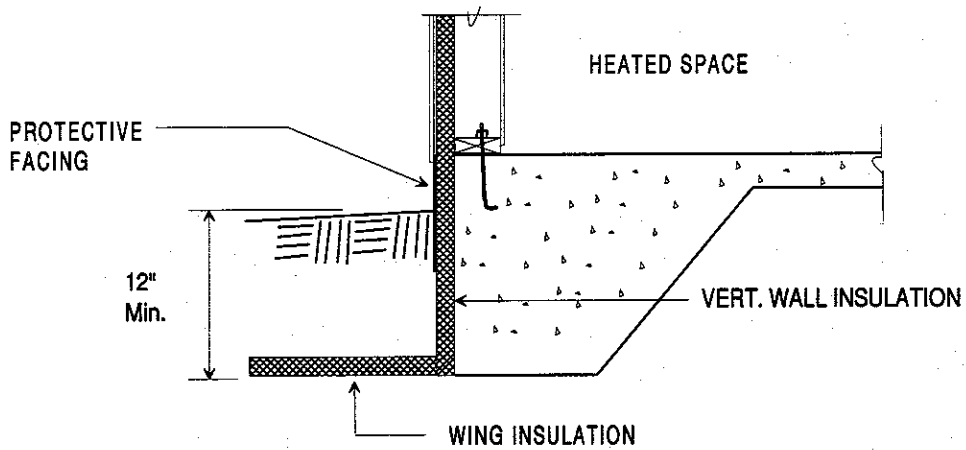


Figure 9. Typical FPSF monolithic slab with horizontal wing insulation for colder climates.

INDEPENDENT SLAB AND STEM WALL

As noted previously, FPSF can also be adapted to foundations constructed with an independent stem wall and ground supported slab. (See Figures 10, 11, and 12). The stem wall and slab technique has the same insulation and drainage requirements as a monolithic slab. If a separate footing is used, as may be required by local soil conditions or code requirements, the footing must be located below the insulation. In any case, any horizontal insulation should be a minimum 10 inches below grade. The wall may be constructed of poured concrete, concrete masonry, wood or other acceptable materials. Some examples are shown below.

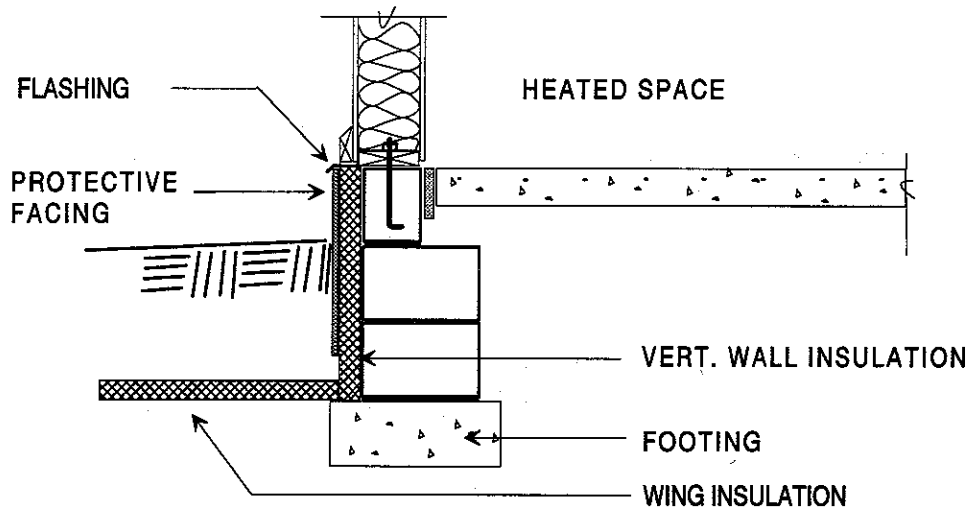


Figure 10. Independent block stem wall with insulation on exterior face of wall.

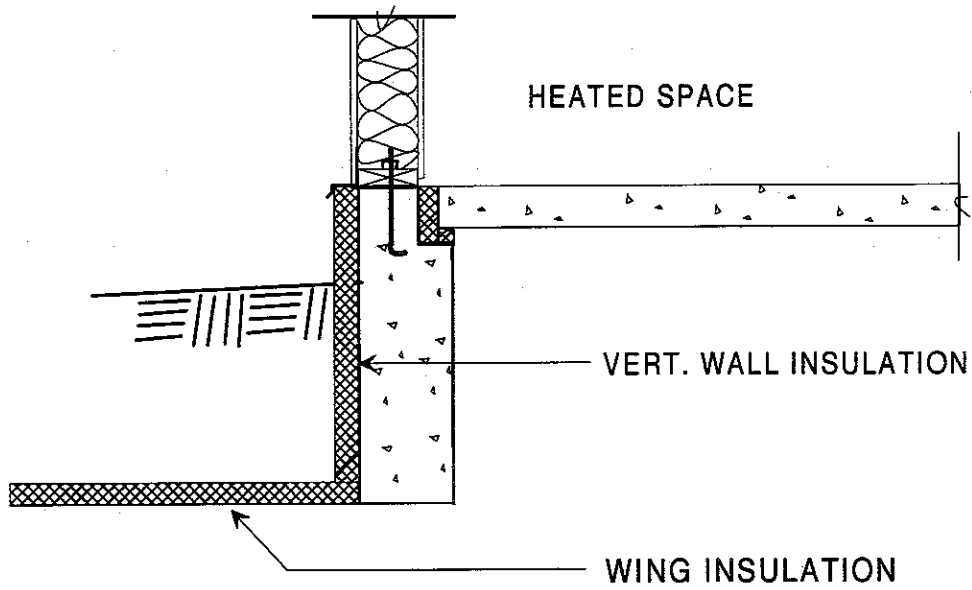


Figure 11. Independent stem wall with insulation on exterior face of wall.

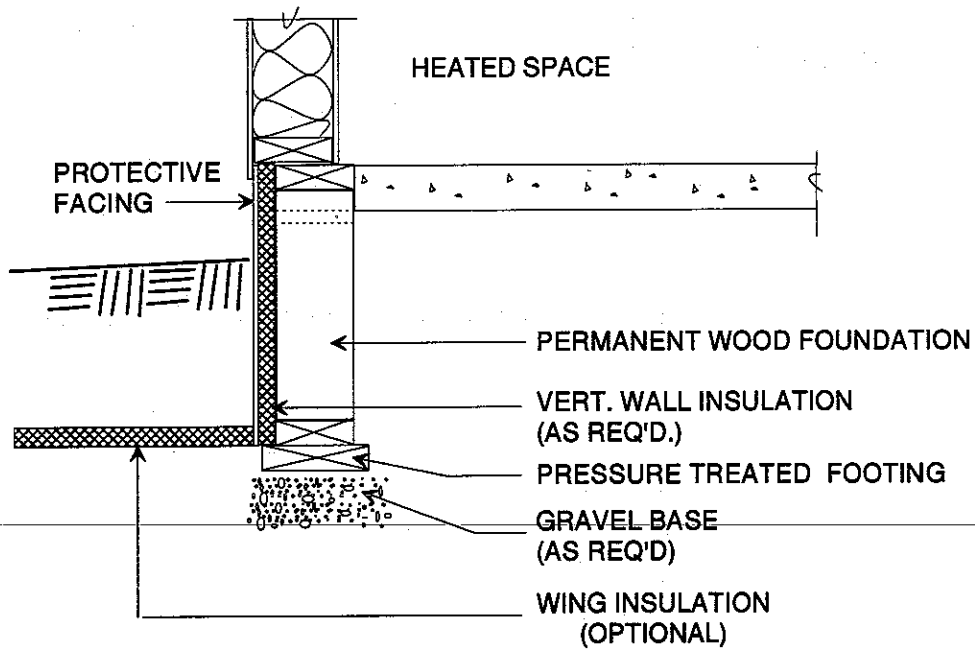


Figure 12. Typical permanent wood FPSF.

UNHEATED BUILDINGS

Additional measures are required for an unheated building. While a drainage layer is only recommended under wing insulation for heated buildings, a 6-inch drainage layer is required under unheated FPSF designs. Additionally, the horizontal ground insulation extends not only as a wing beyond the perimeter of the building, but continues under the entire unheated portion of the building. This insulation layer can be installed either directly under the slab as shown in Figure 13, or entirely at one level as shown in Figure 14. In either case, the compressive load of the building on the insulation must be determined to compare to the compressive resistance of the foam (see design examples). The horizontal insulation must have a minimum of 10 inches of soil cover.

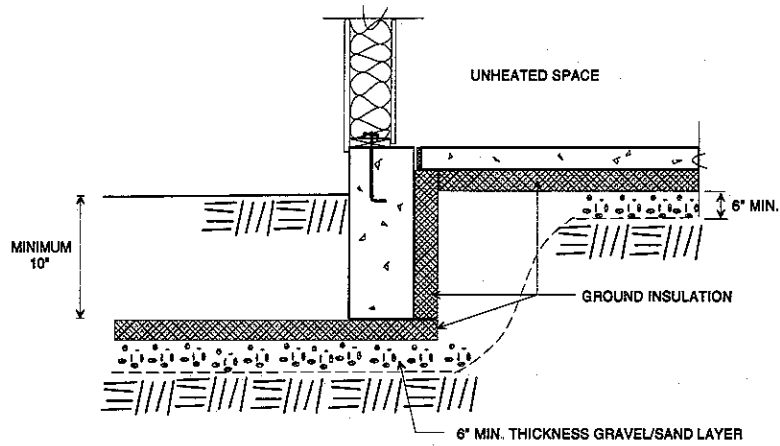


Figure 13. FPSF design for unheated space with independent slab and stem wall.

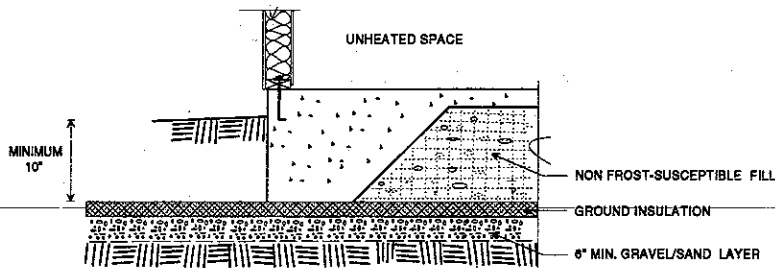


Figure 14. FPSF design for unheated buildings with insulation in single plane.

UNHEATED AREAS IN OTHERWISE HEATED BUILDINGS

Many heated buildings may have small portions of its footprint which are unheated, such as entries and porches, and therefore require special consideration (see Figure 15). The design for these cases is outlined in steps earlier in this design guideline. In the case of a home with an attached garage, a cold bridge is created between the two slabs, requiring insulation to break the bridge (see Figure 16).

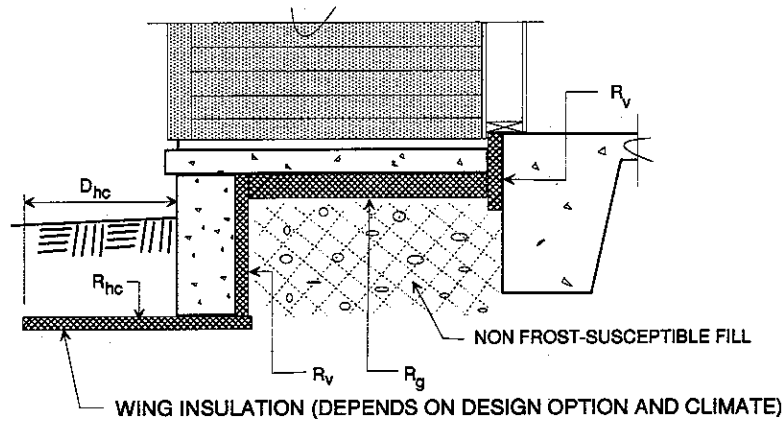


Figure 15. Insulation detail for small unheated portion (e.g. recessed entry) in an otherwise heated building.

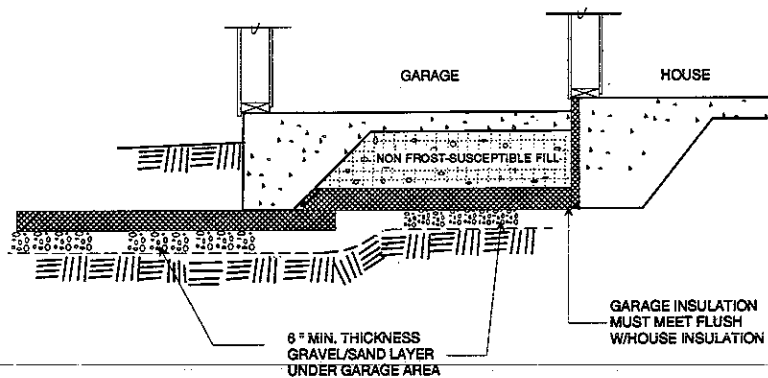


Figure 16. Insulation detail for a large unheated area (e.g. attached garage).

Common Questions and Answers About Frost-Protected Shallow Foundations

A number of questions have been posed by building officials, builders, engineers, and others about frost-protected shallow foundations (FPSF). The most common questions and their answers are provided here to benefit those interested in this technology.

Question No. 1: How does insulation stop frost heave from occurring?

Frost heave can only occur when all of the following three conditions are present: 1) the soil is frost susceptible (large silt fraction), 2) sufficient moisture is available (soil is above approximately 80 percent saturation), and 3) sub-freezing temperatures are penetrating the soil. Removing one of these factors will negate the possibility of frost damage. Insulation as required in this design guide will prevent underlying soil from freezing (an inch of polystyrene insulation, R4.5, has an equivalent R-Value of about 4 feet of soil on average). The use of insulation is particularly effective on a building foundation for several reasons. First, heat loss is minimized while storing and directing heat into the foundation soil -- not out through the vertical face of the foundation wall. Second, horizontal insulation projecting outward will shed moisture away from the foundation further minimizing the risk of frost damage. Finally, because of the insulation, the frost line will rise as it approaches the foundation. Since frost heave forces act perpendicular to the frost line, heave forces, if present, will act in a horizontal direction and not upwards.

Question No. 2: Does the soil type or ground cover (e.g., snow) affect the amount of insulation required?

By design, the proposed insulation requirements are based on the worst-case ground condition of no snow or organic cover on the soil. Likewise, the recommended insulation will effectively prevent freezing of all frost-susceptible soils. Because of the heat absorbed (latent heat) during the freezing of water (phase change), increased amounts of soil water will tend to moderate the frost penetration or temperature change of the soil-water mass. Since soil water increases the heat capacity of the soil, it further increases the resistance to freezing by increasing the soil's "thermal mass" and adding a significant latent heat effect. Therefore, the proposed insulation requirements are based on a worst-case, silty soil condition with sufficient moisture to allow frost heave but not so much as to cause the soil itself to drastically resist the penetration of the frost line. Actually, a coarse grained soil (non-frost susceptible) which is low in moisture will freeze faster and deeper, but with no potential for frost damage. Thus, the proposed insulation recommendations effectively mitigate frost heave for all soil types under varying moisture and surface conditions.

Question No. 3: How long will the insulation protect the foundation?

This question is very important when protecting homes or other structures which have a long life expectancy. The ability of insulation to perform in below-ground conditions is dependent on the product type, grade, and moisture resistance. In Europe, polystyrene insulation has been used to protect foundations for nearly 40 years with no experience of frost heave. Thus, with proper adjustment of R-values for below-ground service conditions, both extruded polystyrene (XPS) and expanded polystyrene (EPS) can be used with assurance of performance. In the United States, XPS has been studied for Alaskan highway and pipeline projects, and it has been found that after 20 years of service and at least 5 yrs of submergence in water that the XPS maintained its R-value (ref. McFadden and Bennett, Construction in Cold Regions: A Guide for Planners, Engineers, Contractors, and Managers, J. Wiley & Sons, Inc., 1991. pp328-329). For reasons of quality assurance, both XPS and EPS can be readily identified by labelling corresponding to current ASTM standards.

Question No. 4: What happens if the heating system fails for a time during the winter?

For all types of construction, heat loss through the floor of a building contributes to geothermal heat storage under the building, which during the winter is released at the foundation perimeter. Using insulated footings will effectively regulate the stored heat loss and retard penetration of the frost line during a period of heating system failure or set-back. Conventional foundations, with typically less insulation, do not offer this level of protection and the frost may penetrate more quickly through the foundation wall and into interior areas below the floor slab. With ad-freezing (the frozen bond between the water in the soil and the foundation wall), frost does not need to penetrate below footings to be dangerous to light construction. In this sense, frost protected footings are more effective in preventing frost damage.

The proposed insulation requirements are based on highly accurate climate information verified by up to 86 years of winter freezing records for over 3,000 weather stations across the United States. The insulation is sized to prevent foundation soil freezing for a 100-year return period winter freezing event with a particularly rigorous condition of no snow or ground cover. Even then, it is highly unlikely that during such an event there will be no snow cover, sufficiently high ground moisture, and an extended loss of building heat.

Question No. 5: Why are greater amounts of insulation needed at the corners of the foundation?

Heat loss occurs outward from the foundation walls and is, therefore, intensified at the proximity of an outside corner because of the combined heat loss from two adjacent wall surfaces. Consequently, to protect foundation corners from frost damage, greater amounts of insulation are required in the corner regions. Thus, an insulated footing design will provide additional protection at corners where the risk of frost damage is higher.

Question No. 6: What experience has the U.S. seen with this technology?

Frost protected insulated footings were used as early as the 1930s by Frank Lloyd Wright in the Chicago area. But since that time, the Europeans have taken the lead in applying this concept over the last 40 years. There are now over 1 million homes in Norway, Sweden, and Finland with insulated shallow footings which are recognized in the building codes as a standard practice. In the United States, insulation has been used to prevent frost heave in many special engineering projects (i.e., highways, dams, pipelines, and engineered buildings). Its use on home foundations has been accepted by local codes in Alaska, and it has seen scattered use in uncoded areas of other states. It is likely that there are several thousand homes with variations of frost protected insulated footings in the United States (including Alaska).

To verify the technology in the United States, five test homes were constructed in Vermont, Iowa, North Dakota, and Alaska. The homes were instrumented with automated data acquisition systems to monitor ground, foundation, slab, indoor, and outdoor temperatures at various locations around the foundations. The performance observed was in agreement with the European experience in that the insulated footings prevented the foundation soil from freezing and heaving even under rigorous climatic and soil conditions (ref. U.S. Department of Housing and Urban Development, *"Frost Protected Shallow Foundations for Residential Construction"*, Washington, DC, 1993).

Question No. 7: How energy efficient and comfortable are slab foundations with frost protected footings?

The insulation requirements for frost protected footings are minimum requirements to prevent frost damage. The requirements will provide a satisfactory level of energy efficiency, comfort, and protection against moisture condensation. Since these requirements are minimums, additional insulation may be applied to meet special comfort objectives or more stringent energy codes.

FPSF DESIGN EXAMPLES

The following examples demonstrate the design process for FPSFs presented in this guide. Variations from the designs and details shown which meet the minimum requirements of this guide would also be acceptable.

EXAMPLE A: Site Information

Approximate Location	Chicago, IL
Building Type	52 X 26 foot heated home
Foundation Type	monolithic slab-on-grade
Floor Finish	carpet with fibrous pad
Slab/Floor Insulation	none
Unheated Areas	none

Design Steps

The design of this FPSF follows the basic procedure for heated buildings.

Step A1: From Figure A1 for the Chicago area, $F_{100} = 1,500$ °F-day (Table A3 gives $F_{100} = 1,433$ °F-days)

Step A2: R_f for the floor slab cross section = $R_{f,carpet} + R_{f,concrete}$
 $R_f = 2.08 + (0.05 \text{ R/in} \times 4 \text{ in}) = 2.28 \text{ R.}$
(See Table A2 for values.)

Step A3: From Table A4 for $h = 12''$ and $F_n = 1,500$ °F-day:
 $R_v = 4.5 \text{ hr-ft-}^\circ\text{F/Btu.}$

Step A4: The minimum thickness of wall insulation is R_v/r_{eff} .
In the case of XPS, $4.5/4.5 = 1.0$ inch minimum XPS required.
In the case of Type II EPS, $4.5/2.4 = 1.9$ inches (min) required.
Therefore, use 2.0 inches of Type II EPS.

Step A5: From Table A5 for $F_n = 1,500$ °F-day or less, a 12" foundation depth is acceptable and no wing insulation is required along the wall. The design may proceed to Step 7.

Step A7: From Table A5 for $F_n = 1,500$ °F-day or less, a 12" foundation depth at the corners is acceptable and no corner wing insulation is required.

Design Details

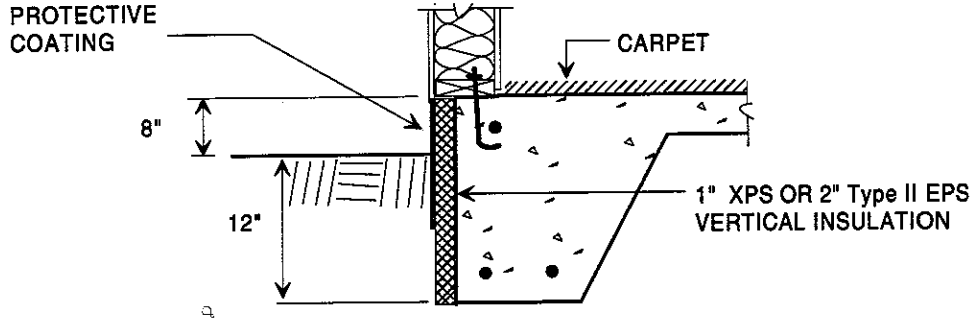


Figure 17. Design detail for example A.

EXAMPLE B: Site Information

Approximate Location	Bismarck, ND
Building Type	42 X 26 foot heated home
Foundation Type	8 inch CMU stemwall footing, with slab-on-grade
Floor Finish	carpet with rubber pad
Slab/Floor Insulation	1-inch Type IX EPS (under slab), 4-foot width
Unheated Areas	none

Design Steps

The design of this FPSF follows the basic procedure for heated buildings.

Step B1: From Figure A1 for the Bismarck area, $F_{100} = 3,700$ °F-day
(Table A3 gives $F_{100} = 3,359$ °F-day).

Step B2: R_f for the floor slab cross section = $R_{f,carpet} + R_{f,concrete} + R_{f,xps}$
 $R_f = 1.23 + (0.05 \text{ R/in} \times 4'') + (4.2 \text{ R/in} \times 1'') = 5.63 \text{ R.}$
 (See Table A2 for values)

Step B3: From Table A4 for $h = 12''$, $R_f = 5.6$, and $F_n = 3,700$ °F-day:
 $R_v = 5.7 \text{ hr-ft-}^\circ\text{F/Btu.}$

Step B4: The minimum thickness of wall insulation = R_v/r_{eff} .
 In the case of XPS, $5.7/4.5 = 1.3$ inches minimum of XPS required,
 therefore use 1.5 inches XPS insulation.
 In the case of Type IX EPS, $5.7/3.2 = 1.8$ inches (min) required,
 therefore use 2.0" of Type IX EPS vertical wall insulation.

Step B5: From Table A5 for $F_n = 3,700$ °F-day, a minimum foundation depth of
 $H_f = 30''$ would avoid the use of wing insulation along the walls. For
 this example, however, the desired foundation depth is 16". From
 Table A6, select wing width, D_{hw} , of 36" with a required thermal
 resistance, R_{hw} , of 7.7 hr-ft-°F/Btu.

Step B6: The minimum thickness of XPS wing insulation = R_{hw}/r_{eff}
 $7.7/4.5 = 1.7$ inches minimum of XPS required
 therefore, use 2.0 inch thick XPS wing insulation along the walls.

Step B7: From Table A5 for $F_n = 3,700$ °F-day a minimum foundation depth of $H_{fc} = 50$ " for a distance of $L_c = 60$ " from the corner would avoid the use of wing insulation at the corners, but require a stepped footing. Alternatively, from Table A5, using 5.7R wing insulation with $D_{hc} = 24$ " and $L_c = 60$ " would allow a uniform foundation depth of 30" with no wing required along the midwall areas. For this example, the desired foundation depth is 16". From Table A7 by interpolation between values, select a wing width, D_{hc} , of 36" with a required thermal resistance, R_{hc} , of 11.7 hr-ft-°F/Btu extended for a distance, L_c , of 60" along the walls. The minimum thickness of XPS wing insulation = R_{hc}/r_{eff} or $11.7/4.5 = 2.6$ inches minimum of XPS. Therefore, use 3.0" of XPS wing insulation at the corner locations.

Design Details

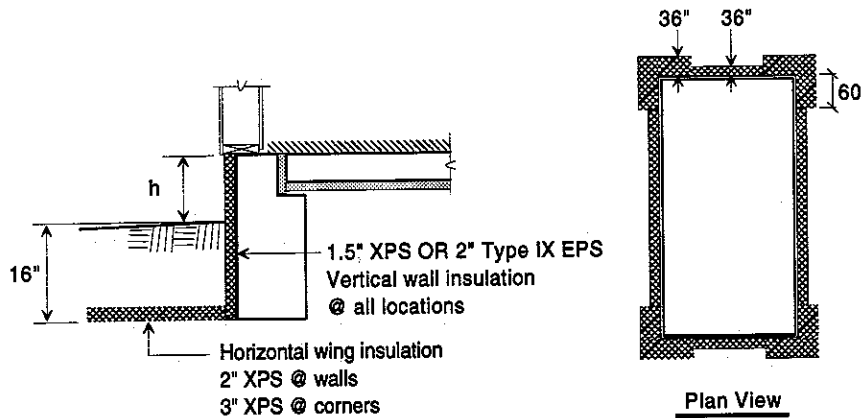


Figure 18. Design detail for example B.

Example C Site Information

Approximate Location	Duluth, MN
Building Type	16 X 24 foot unheated garage
Foundation Type	8 inch wide concrete stemwall, with slab-on-grade
Floor Finish	none
Slab/Floor Insulation	none
Unheated Areas	entire building

Design Steps

The design of this FPSF follows the basic procedure for unheated buildings.

Step C1: From Figures A1 and A2 for the Duluth area, $F_{100} = 3,000$ °F-day and $MAT = 38$ °F.

Step C2: From Table A8 for $F_n = 3,000$ °F-day, $D_g = 79$ inches, therefore extend the ground insulation 6' 7" outside the building.

Step C3: From Table A8 for $MAT = 38$ °F and $F_n = 3,000$ °F-day, $R_g = 18.2$ hr-ft-°F/Btu. In order to reduce the amount of insulation required in Step 4, increase the minimum 6" non-frost susceptible soil layer to 8" and design for $R_g = 18.2 - 0.6 = 17.6$ hr-ft-°F/Btu.

Step C4: The minimum thickness of XPS ground insulation = R_g/r_{eff} . $17.6/4.5 = 3.9$ inches (min) of XPS required, therefore use a 4" layer of XPS ground insulation.

Because the foam in this case is bearing structural loads from footings, a higher density polystyrene is used for the required compressive strengths. The compressive resistance of 1.6 pcf XPS (Type IV) per ASTM C 578-92 is 25 psi (3600 psf). For greater bearing capacity a more dense type may be specified, such as 1.8 pcf XPS (Type VI) with a compressive resistance of 40 psi (5760 psf). Using a safety factor of 3, the allowable bearing load is $5760/3 = 1920$ psf. This bearing capacity is sufficient for this single-story, light-frame construction example including normal dead, live, and snow loads. It is important to ensure that the insulation is placed firmly on a smooth layer of bedding material such as sand or gravel.

Design Details

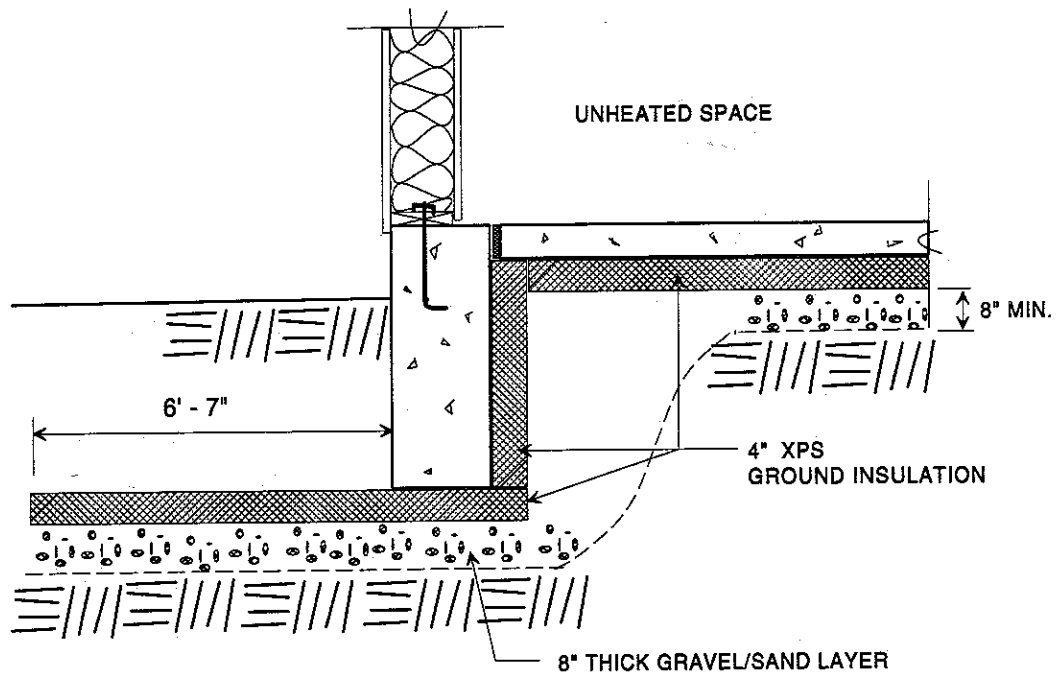


Figure 19. Design detail for example C.

REFERENCES

American Society of Testing and Materials (ASTM). ASTM C 578 - 92 *Standard Specification for Rigid, Cellular Polystyrene Thermal Insulation*. Philadelphia, PA (1992).

_____. *Moisture Control in Buildings-Chapter 4: Effects of Moisture on the Thermal Performance of Insulating Materials*. ASTM Manual Series: MNL 18. Heinz R. Trechsel, Editor. Philadelphia, PA (1994).

Building Officials and Code Administrators International, Inc., (BOCA) *National Building Code*. Country Hills, IL (1990).

Committee on Frost Actions in Soils. *Frost I Jord* (Frost Action in Soil). Nr. 17, Oslo, Norway (November 1976); in Norwegian.

Comité Européen de Normalisation (CEN). *Building Foundations--Protection against Frost Heave*. Preliminary draft for proposed European Standard N185, CEN TC 89/WG5 (August 1992).

Council of American Building Officials (CABO). *Model Energy Code*. Falls Church, VA (1992).

_____. *One- and Two-Family Dwelling Code*. Falls Church, VA (1992).

Crandell, Jay H., Peter M. Steurer, and William Freeborne. *Demonstration, Analysis, and Development of Frost Protected Shallow Foundations and Freezing Index Climatology for Residential Construction Applications in the United States*. Proceedings of the 7th International Cold Regions Engineering Specialty Conference. Edited by D.W. Smith and D.C. Segó. Canadian Society for Civil Engineering, Montreal Quebec, (1994).

Farouki, Omar. *European Foundation Designs for Seasonally Frozen Ground*. U.S. Army Corps of Engineers, Cold Regions Research & Engineering Laboratory, Monograph 92-1, Hanover, NH (March 1992).

International Conference of Building Officials (ICBO). *Uniform Building Code*. Whittier, CA (1991).

Jones, C.W., D.G. Miedema, and J.S. Watkins. *Frost Action in Soil Foundations and Control of Surface Structure Heaving*. U.S. Department of the Interior, Bureau of Reclamation, Engineering Research Center, Denver, CO (1982).

Labs, Kenneth, et al. *Building Foundation Design Handbook*. Prepared for the Oak Ridge National Laboratory by the University of Minnesota/Underground Space Center (May 1988); distributed by NTIS, Springfield, VA. (Note: this publication is also available in shortened form as the *Builder's Foundation Handbook*.)

REFERENCES

- Morris, Richard A. *Frost-Protected Shallow Foundations: Current State-of-the-Art and Potential Application in the U.S.* Prepared for Society of the Plastics Industry, Inc. NAHB Research Center, Upper Marlboro, MD (August 1988).
- Norwegian Building Research Institute. *Frost-Protected Shallow Foundations for Houses and Other Heated Structures, Design Details.* Forskningsveien 3b, Postboks 322, Blindern 0314, Oslo 3, Norway. Translated by the NAHB Research Center (January 1988).
- Southern Building Codes Congress International, Inc. (SBCCI). *Standard Building Code.* Birmingham, AL (1991).
- Steurer, Peter M. and Jay H. Crandell. *Comparison of the Methods Used to Create an Estimate of the Air-Freezing Index.* National Oceanic and Atmospheric Administration, National Climatic Data Center, Asheville, NC (March 1993).
- Steurer, Peter M. *Methods Used to Create an Estimate of the 100-Year Return Period of the Air-Freezing Index.* U.S. Department of Commerce, National Oceanic and Atmospheric Administration, National Climatic Data Center, Asheville, NC (1989); Appendix of SPI Phase II report.

APPENDIX
DESIGN DATA

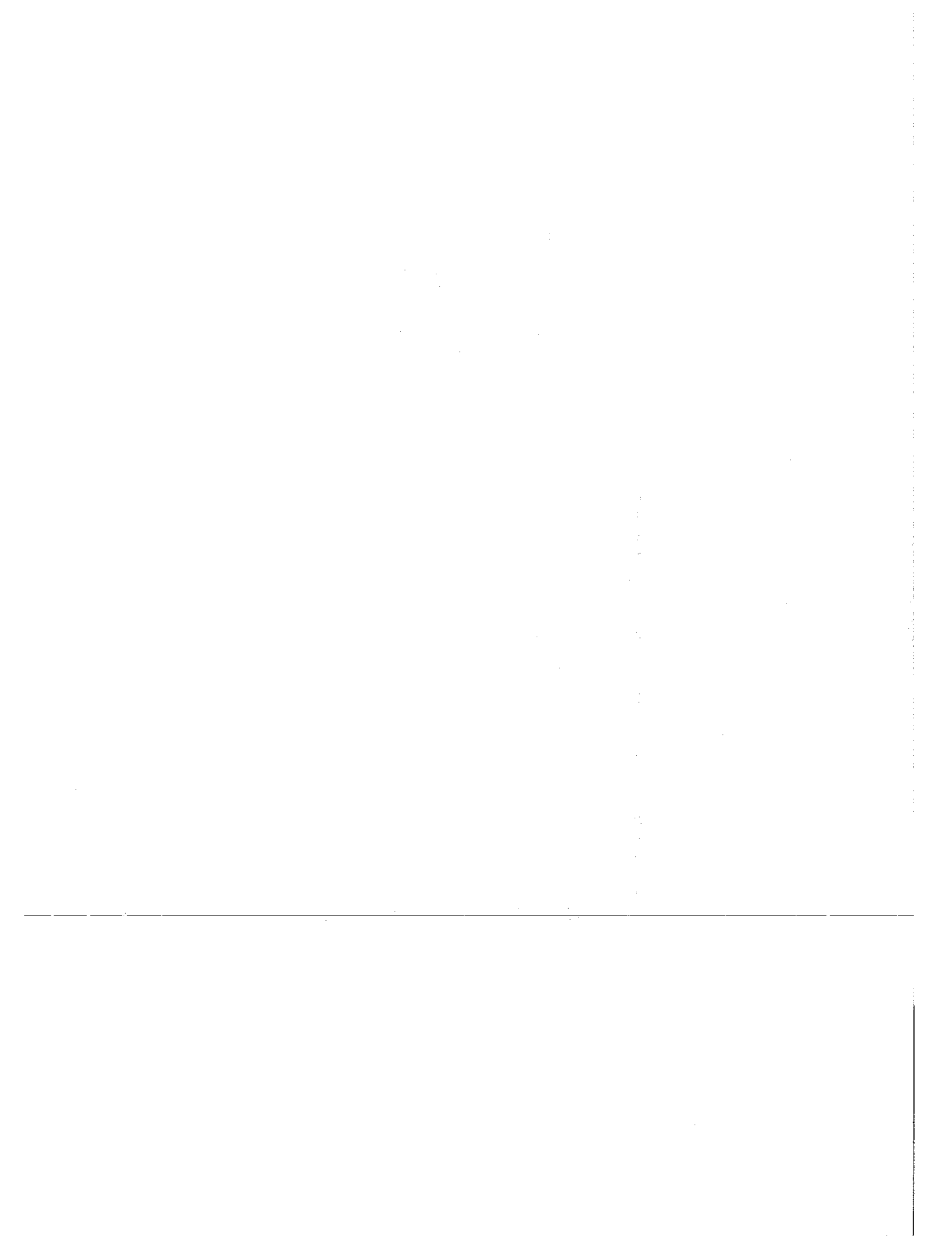


Table of Contents

Tables

Table A1.	Symbols Units and Conversion Factors	A-1
Table A2.	Thermal Properties of Some Construction Materials	A-2
Table A3.	Air Freezing Indices For Select Locations	A-3
Table A4.	Minimum Effective R-Value Of Vertical Wall Insulation	A-9
Table A5.	Minimum Foundation Depth Without Wing Insulation	A-9
Table A6.	Minimum Thermal Resistance of Wing Insulation (Walls)	A-10
Table A7.	Minimum Thermal Resistance of Wing Insulation (Corners)	A-10
Table A8.	Minimum Thermal Resistance of Ground Insulation	A-11

Figures

Figure A1.	U.S. Air Freezing Index Contour Map	A-4, A-5, A-6
Figure A2.	Mean Annual Temperature Contour Map for the U.S.	A-7, A-8
Figure A3.	Ground Insulation Applications and Requirements	A-11
Figure A4.	Definition of a Small Unheated Part of a Floor Slab	A-12

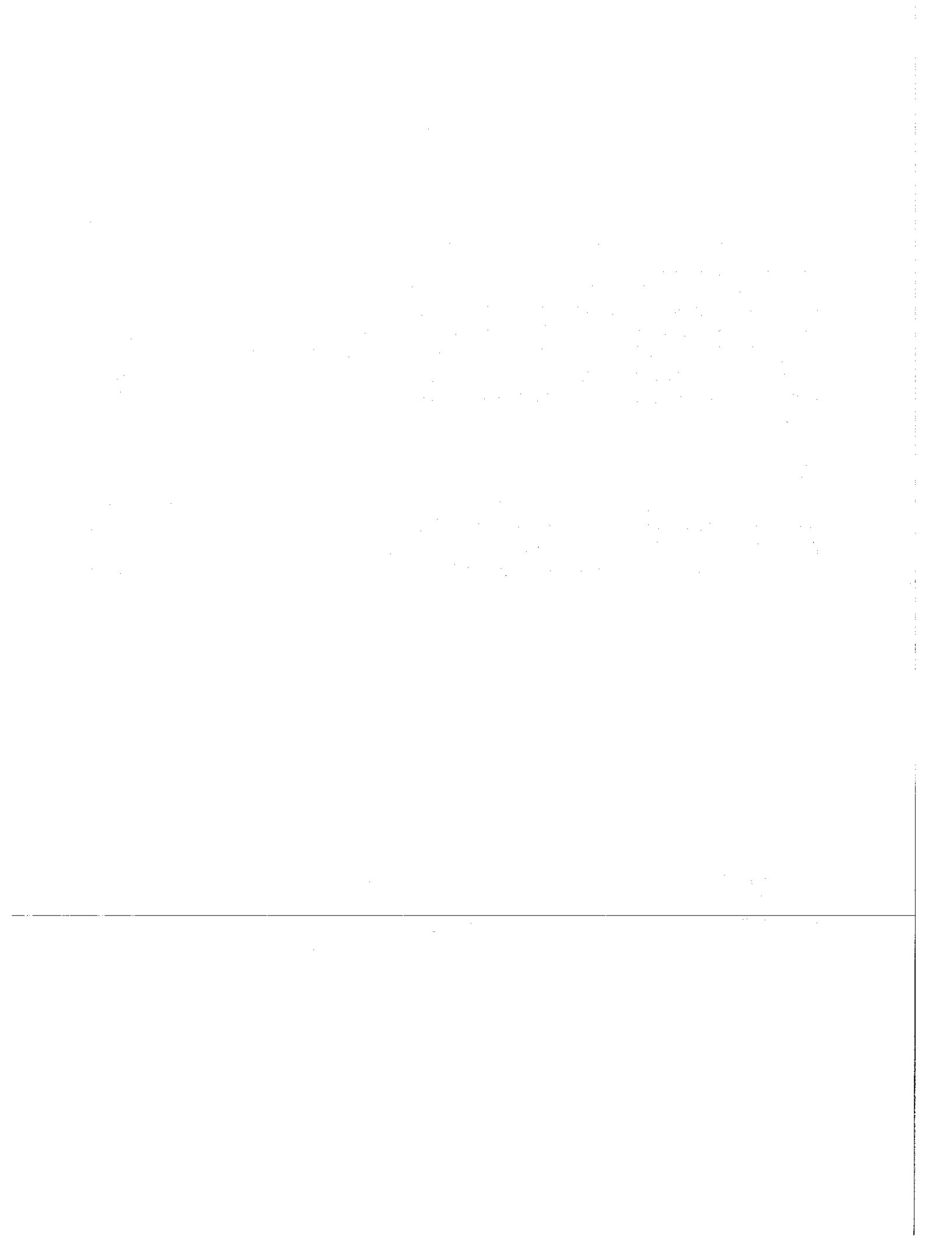


Table A1.
SYMBOLS, UNITS, AND CONVERSION FACTORS

Symbol	Definition	SI units	English Units
B	Width (smaller dimension) of building	m	ft or in
D _h	Width of horizontal wing insulation	m	ft or in
D _{hc}	Width of horizontal wing insulation at corner	m	ft or in
D _{hw}	Width of horizontal wing insulation along wall	m	ft or in
D _g	Width of ground insulation beyond the perimeter of an unheated building	m	ft or in
F ₁₀₀	100-year return period design freezing index	°C-hr	°F-days
F _n	Freezing index likely occurring once in n years	°C-hr	°F-days
h	Floor height above finished grade	m	ft or in
h _f , h _{fc}	Foundation depth along walls or at corners	m	ft or in
h _v	Depth of vertical wall insulation into ground	m	ft or in
L _c	Length (along a wall) to extend corner insulation	m	ft or in
R _f	Nominal R-value of floor/slab construction (average of outer 4 feet of floor)	m ² -°C/W	hr-ft ² -°F/Btu
R _v	Required R-value of vertical wall insulation	m ² -°C/W	hr-ft ² -°F/Btu
R _h	Required R-value of horizontal wing insulation	m ² -°C/W	hr-ft ² -°F/Btu
R _{hc}	Required R-value of horizontal wing insulation at corner	m ² -°C/W	hr-ft ² -°F/Btu
R _{hw}	Required R-value of horizontal wing insulation along wall	m ² -°C/W	hr-ft ² -°F/Btu
R _g	Required R-value of ground insulation for unheated buildings	m ² -°C/W	hr-ft ² -°F/Btu
MAT	Mean annual temperature (MAT)	°C	°F
R _{eff}	Effective R-value of an insulation material in service conditions	m ² -°C/W	hr-ft ² -°F/Btu
r _{eff}	Effective resistivity of an insulation material in service conditions (R _{eff} per inch)	m-°C/W	hr-ft ² -°F/Btu-in
Unit Conversion Factors			
Length	1m = 100cm = 3.28ft = 39.4in		
Mass	1kg = 2.2 lbm (or 70.8slugs)		
Weight	1N = 0.225 lbf		
Area	1m ² = 10,000cm ² = 10.8ft ² = 1550in ²		
Volume	1m ³ = 1x10 ⁶ cm ³ = 35.3ft ³ = 6.1x10 ⁴ in ³		
Density	1kg/m ³ = 0.0624lbm/ft ³		
Pressure	1kPa = 0.145psi		
Temperature	°F = 1.8(°C) + 32		
Freezing index	1°C-hr = 0.075°F-days		
Thermal properties			
- conductance	1W/m ² -°C = 0.176Btu/hr-ft ² -°F		
- resistance	1m ² -°C/W = 5.68hr-ft ² -°F/Btu {R-value}		
- conductivity	1W/m-°C = 6.933Btu-in/hr-ft ² -°F		
- resistivity	1m-°C/W = 0.144 hr-ft ² -°F/Btu-in		

Table A2.
THERMAL PROPERTIES OF SOME FOUNDATION AND
FLOOR CONSTRUCTION MATERIALS
FROM ASHRAE FUNDAMENTALS (1989)
AND ASTM STANDARD C 578-92

Description	Density lb/ft ³	Resistivity hr-ft ² -°F/Btu-in [R-value per inch, dry condition]
BUILDING MATERIALS		
Plywood	34	1.25
Waferboard	37	1.59
Particleboard, Low-Density	37	1.41
Particleboard, High-Density	62.5	0.85
Particleboard, Underlayment	40	1.31
Wood Subfloor	--	1.25
Softwoods	35	0.9
Hardwoods	40	0.8
Brick	100	0.25
8" CMU with Perlite Fill	--	2.1
Cement Mortar	120	0.15
Concrete	140	0.05
6 mil Plastic	--	Negligible
EPS Insulation, Type II	1.3	4.0
EPS Insulation, Type IX	1.8	4.2
XPS Insulation, Types IV, V, VI, VII	1.6 - 3.0	5.0
FINISH FLOORING MATERIALS		
Carpet and Fibrous Pad		2.08 (R)
Carpet and Rubber Pad		1.23 (R)

Table A3.
Estimates of the Air-Freezing Index (°F-days) at Various Locations and Return Periods

LOCATION	MEAN ANNUAL TEMPERATURE (°F)	RETURN PERIOD ESTIMATES (F _w)				
		100-YR	50-YR	25-YR	5-YR	2-YR
ALASKA, ELMENDORF AFB	35.0	3427	3317	3190	2777	2347
COLORADO, DENVER	50.3	712	653	589	408	261
CONNECTICUT, HARTFORD	49.7	938	880	815	619	444
IDAHO, IDAHO FALLS	43.8	2353	2202	2035	1537	1092
ILLINOIS, CHICAGO	50.6	1433	1334	1225	904	625
INDIANA, SOUTH BEND	49.4	1379	1286	1183	880	270
IOWA, FORT DODGE	47.4	2132	2031	1917	1561	1216
KANSAS, TOPEKA	54.1	1000	919	831	581	376
KENTUCKY, LEXINGTON	54.9	720	642	560	343	190
MAINE, PORTLAND	45.0	1407	1353	1290	1091	889
MICHIGAN, LANSING	47.2	1529	1454	1370	1107	854
MINNESOTA, DULUTH	38.2	3126	3060	2984	2729	2448
MISSOURI, JEFFERSON CITY	55.1	903	804	700	427	234
MONTANA, LEWISTOWN	41.9	2473	2319	2147	1632	1170
NEBRASKA, NORTH PLATTE	48.1	1686	1582	1466	1118	805
NEVADA, ELKO	46.2	1526	1398	1258	867	551
NEW HAMPSHIRE, CONCORD	45.3	1599	1537	1466	1239	1010
NEW YORK, SYRACUSE	47.7	1213	1163	1106	925	744
NORTH DAKOTA, BISMARCK	41.3	3359	3239	3102	2659	2205
OHIO, MANSFIELD	48.2	1367	1278	1178	883	622
OREGON, BAKER	45.6	1446	1312	1167	771	466
PENNSYLVANIA, STATE COLLEGE	49.3	1169	1082	987	712	479
SOUTH DAKOTA, REDFIELD	43.9	3005	2885	2748	2310	1872
UTAH, OGDEN	50.8	1081	968	849	532	301
VERMONT, BURLINGTON	44.1	2054	1958	1905	1646	1379
VIRGINIA, BIG MEADOWS	47.2	1149	1062	966	690	458
WASHINGTON, SPOKANE	47.2	1232	1120	998	664	405
WEST VIRGINIA, ELKINS	49.4	1045	950	848	567	347
WISCONSIN, WAUSAU	42.4	2492	2427	2353	2106	1840
WYOMING, SHERIDAN	44.6	2283	2157	2015	1584	1181

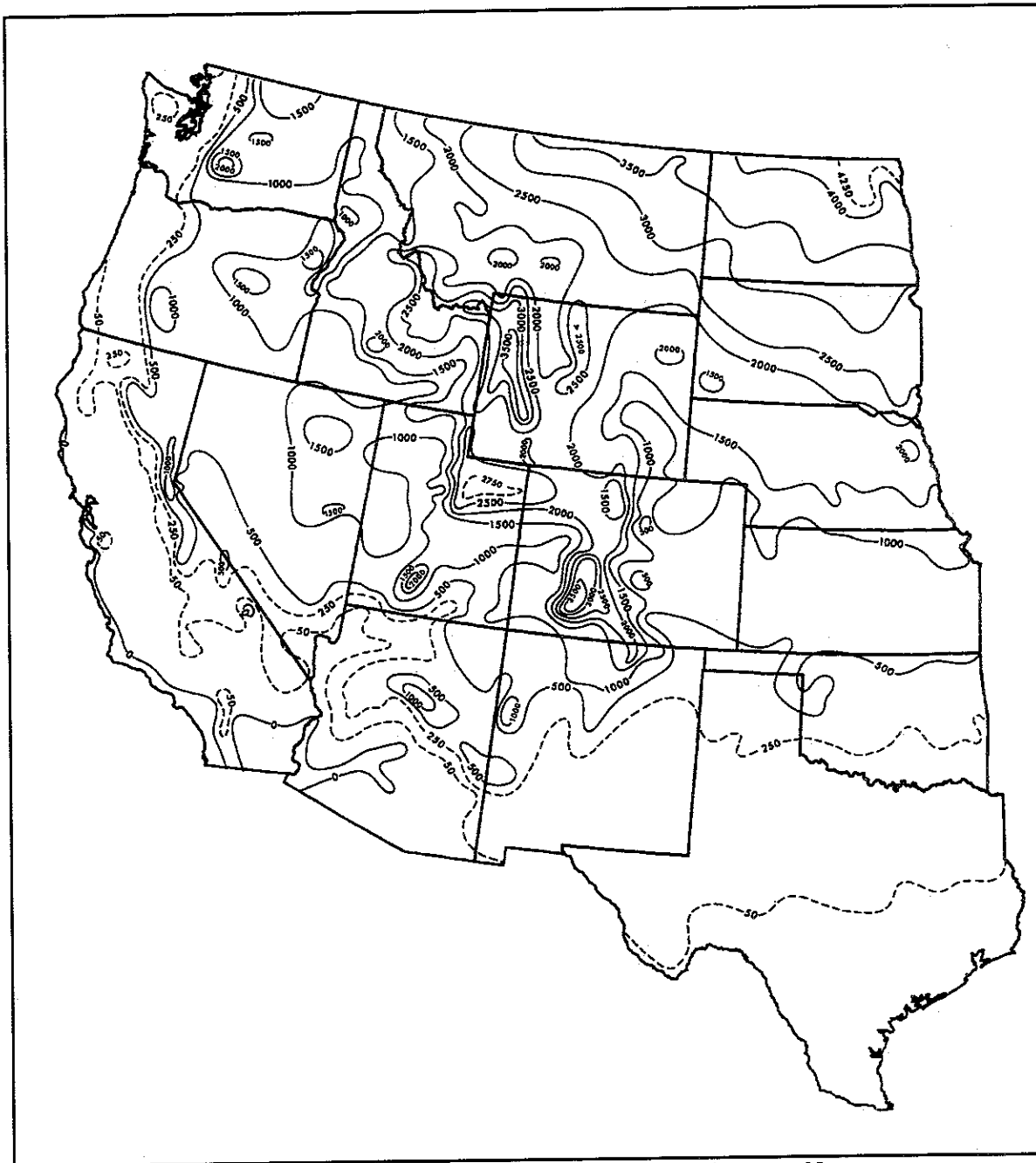


Figure A1. United States Air-Freezing Index Contour Map

The air-freezing index method for the United States is described as cumulative degree days above and below 32°F. It is used as a seasonal measure of the combined magnitude and duration of air temperatures below freezing. The index was computed over a 12-month period (July-June) for each of the 3,044 stations used in the above analysis. (Stuerer, 1989) Data from the 1951-80 period were fitted to a Weibull probability distribution to produce an estimate of the 100-year return period. Probability estimates were verified by analysis of representative, long-term weather records. (Stuerer and Crandell, 1993)

As with most contour maps, the analyzed isopleths are somewhat generalized and may depart from actual conditions. Topographic variability, proximity to bodies of water, and urban heat effects must be considered when interpolating values for specific locations. Dashed lines are used in areas which contain few or no stations. Micro climate effects may produce a variability of ± 500 °F-days in the 100-year return air freezing index estimate.

This analysis was prepared by the National Oceanic and Atmospheric Administration's National Climatic Data Center under contract to the NAHB Research Center.(Steurer, 1989)

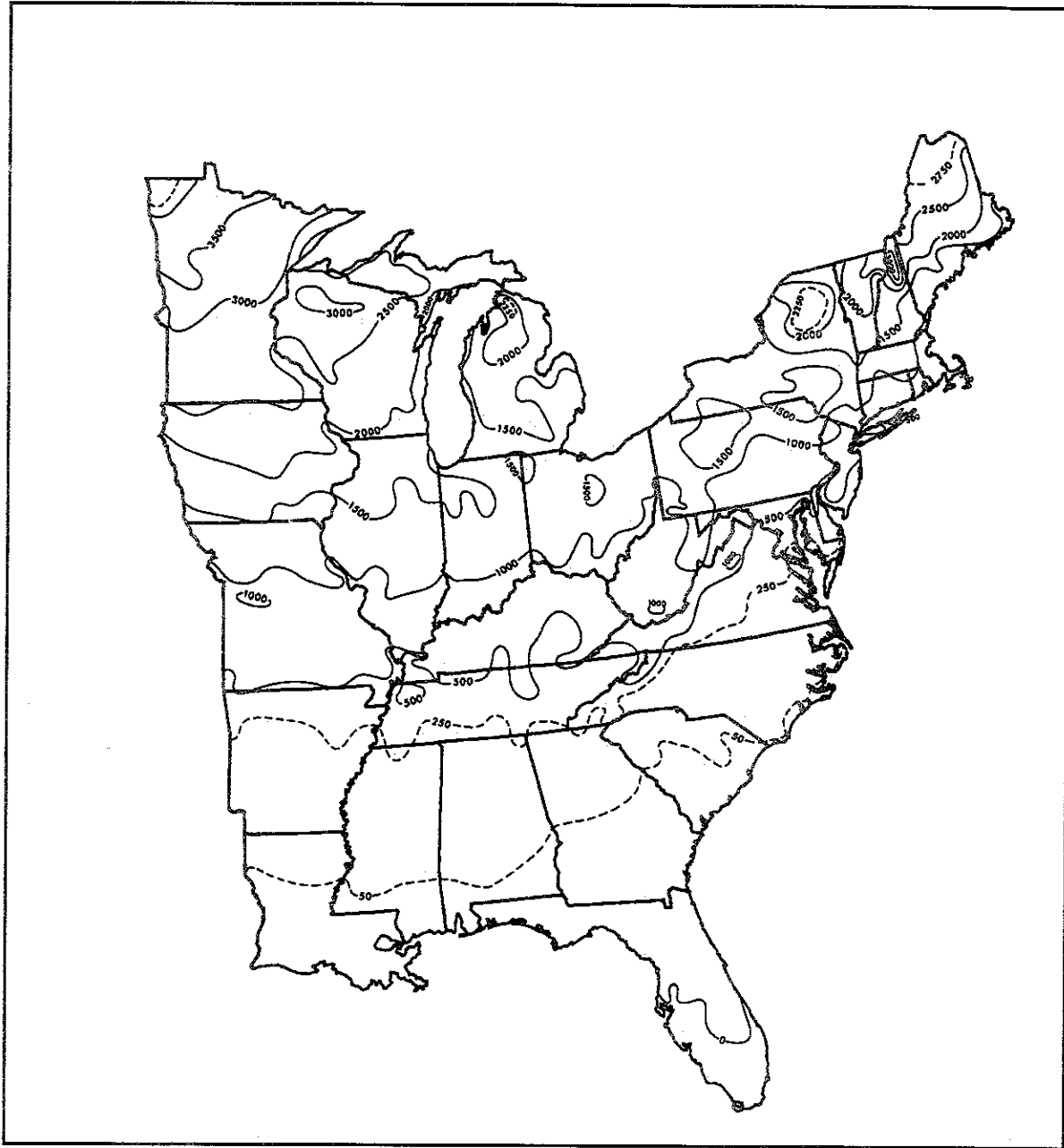


Figure A1. Continued

The air-freezing index method for the United States is described as cumulative degree days above and below 32°F. It is used as a seasonal measure of the combined magnitude and duration of air temperatures below freezing. The index was computed over a 12-month period (July-June) for each of the 3,044 stations used in the above analysis. (Stuerer) Data from the 1951-80 period were fitted to a Weibull probability distribution to produce an estimate of the 100-year return period. Probability estimates were verified by analysis of representative, long-term weather records. (Stuerer and Crandell, 1993)

As with most contour maps, the analyzed isopleths are somewhat generalized and may depart from actual conditions. Topographic variability, proximity to bodies of water, and urban heat effects must be considered when interpolating values for specific locations. Dashed lines are used in areas which contain few or no stations. Micro climate effects may produce a variability of ± 500 °F-days in the 100-year return air freezing index estimate.

This analysis was prepared by the National Oceanic and Atmospheric Administration's National Climatic Data Center under contract to the NAHB Research Center. (Stuerer, 1989)

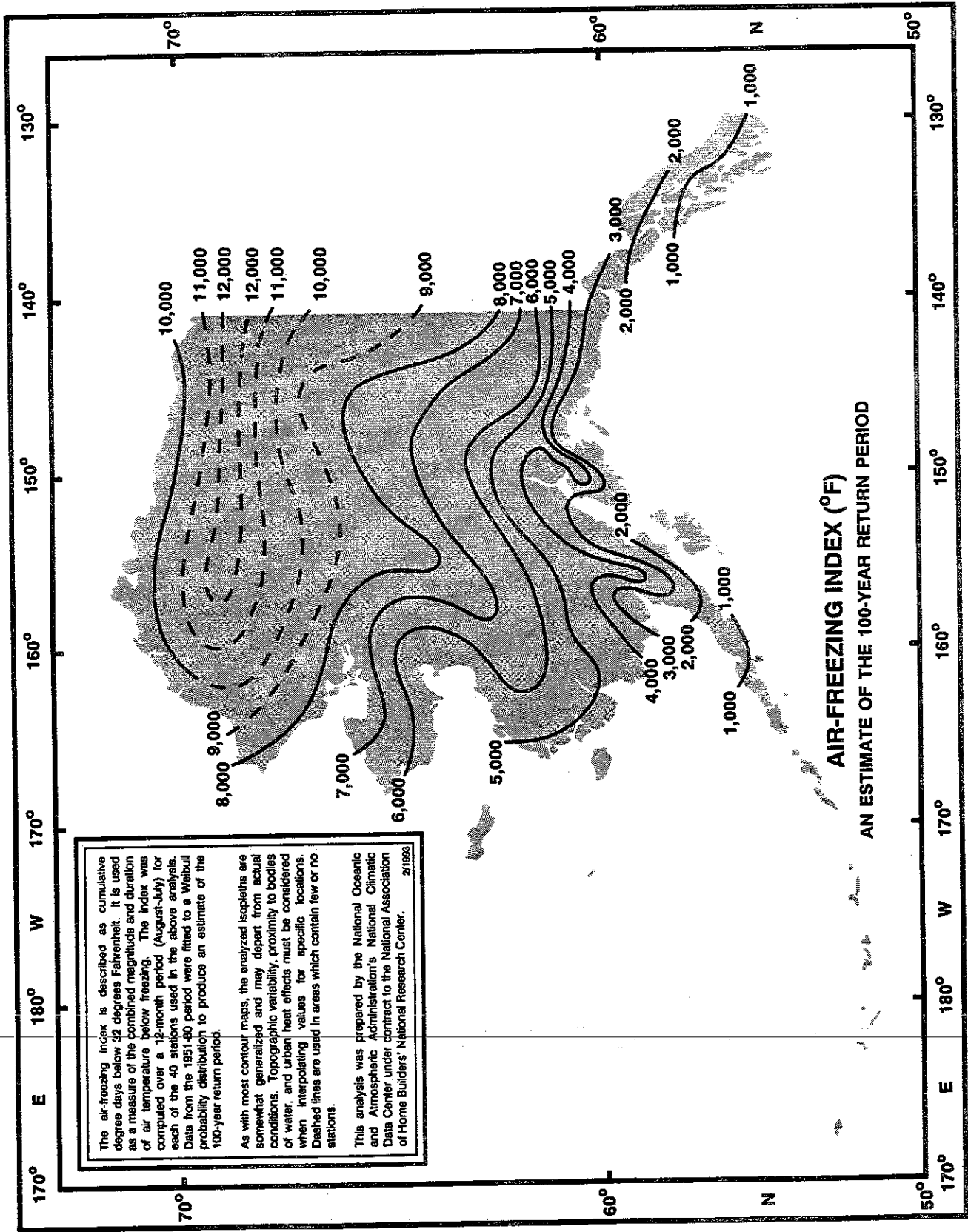


Figure A1. Continued

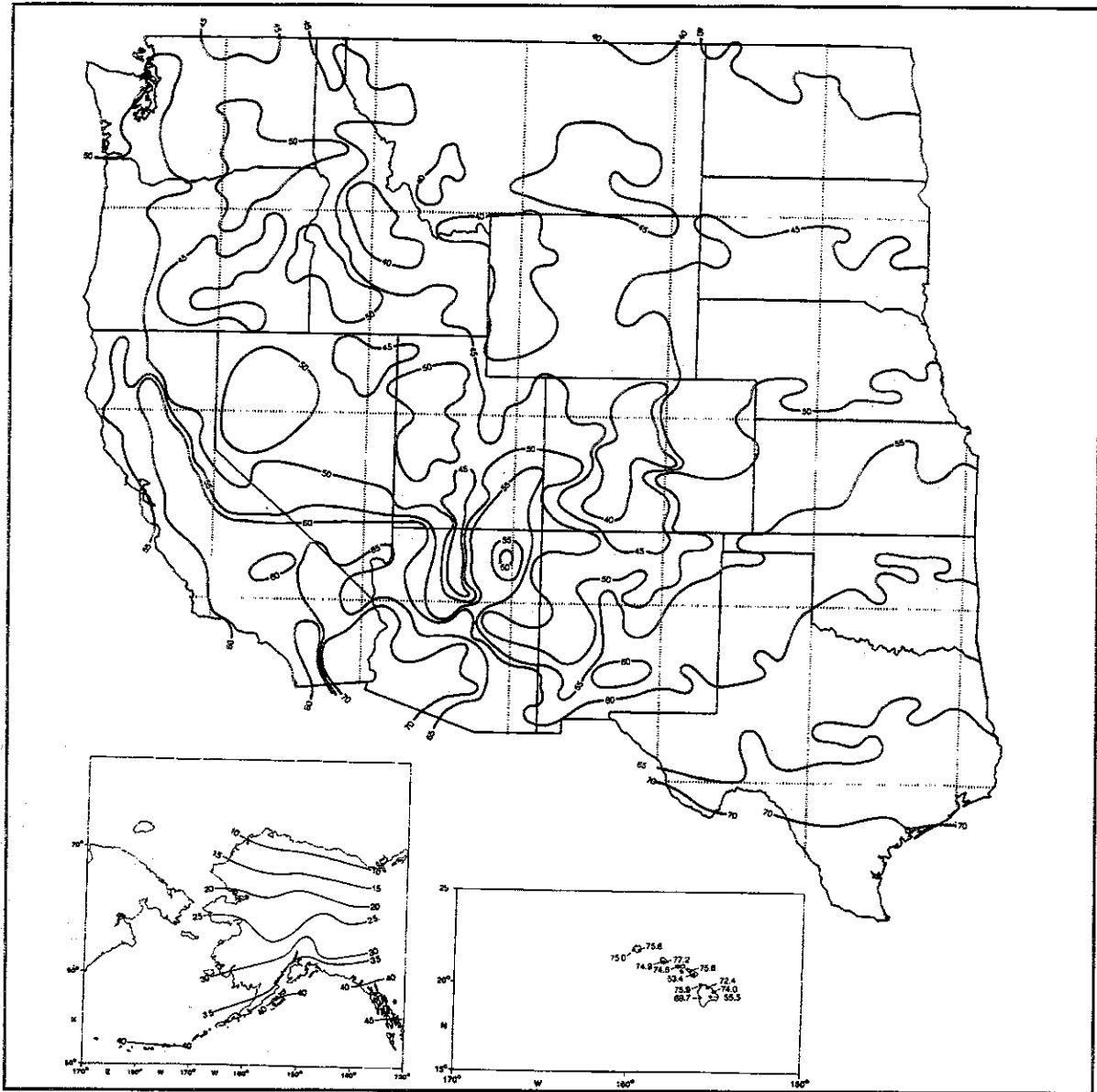


Figure A2. Mean Annual Temperature (°F) Contour Map for the United States (12)

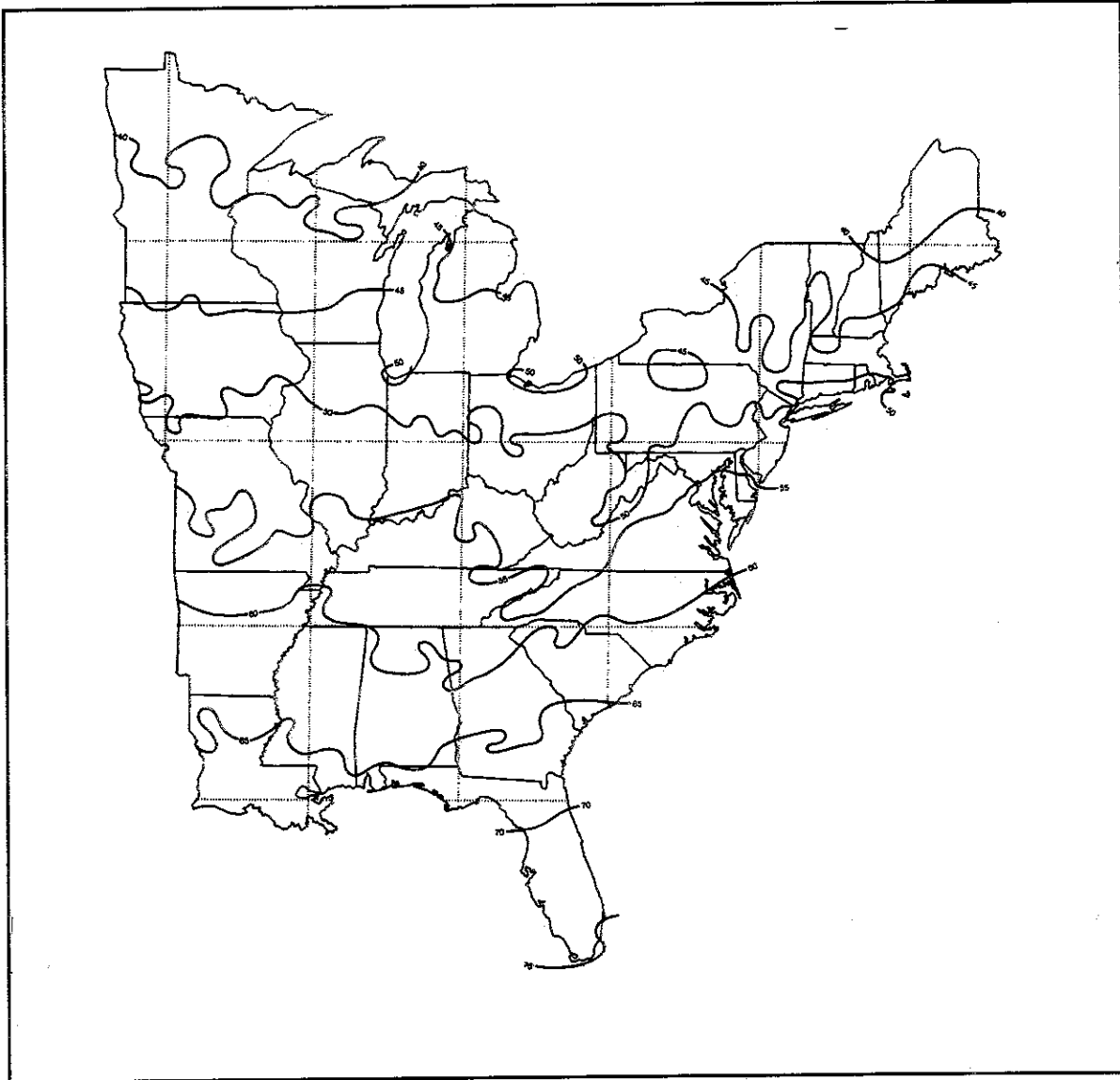


Figure A2. Continued

Table A4
MINIMUM THERMAL REISTANCE OF VERTICAL WALL INSULATION
 R_v (hr-ft²-°F/Btu)

F_n (°F-day)	0.0 < R_f < 6.0		6.0 < R_f < 15.0		15.0 < R_f < 28.0	
	$h \leq 12$ in	$h = 24$ in	$h \leq 12$ in	$h = 24$ in	$h \leq 12$ in	$h = 24$ in
375 or less	0.0	3.0	4.5	5.7	5.7	8.5
750	3.0	4.6	5.7	5.7	8.5	11.4
1,500	4.5	5.7	5.7	5.7	8.5	11.4
2,250	5.7	5.7	5.7	7.4	8.5	14.2
3,000	5.7	5.7	6.8	8.5	9.7	15.3
3,750	5.7	6.8	8.0	9.7	11.4	17.0
4,500	6.8	8.0	10.2	11.9	13.6	19.3

Note: Interpolation is allowed to obtain design values for a site's F_n and h .

Table A5
MINIMUM FOUNDATION DEPTHS
WITHOUT WING INSULATION
OR WITH WING AT CORNERS ONLY

F_n (°F-day)	Foundation Depth Along Walls With No Wing	Foundation Depth At Corners With No Wing		Foundation Depth at Corners With R5.7 Wing At Corners Only		
	h_f (in)	L_c (in)	h_{fc} (in)	L_c (in)	h_{fc} (in)	D_{hc} (in)
1,500 or less	12	--	12	--	12	--
2,250	14	--	14	--	14	--
2,625	16	40	24	40	16	20
3,000	20	40	32	40	20	20
3,375	24	60	40	60	24	20
3,750	30	60	51	60	30	24
4,125	36	60	63	60	36	32
4,500	43	80	71	80	43	32

Table A6
MINIMUM THERMAL RESISTANCE
OF WING INSULATION, R_{hw} ,
FOR USE ALONG WALLS
(16" FOOTING DEPTH)

F_n ($^{\circ}\text{F}\cdot\text{day}$)	R-values For Various Wing Widths Along Walls, D_{hw} (inches)						
	12	18	24	30	36	42	48
2,250 or less	0.0						
2,625	2.5						
3,000	6.5	6.1	5.3	4.5			
3,375		8.2	7.4	6.5			
3,750			9.1	8.5	7.7		
4,125			11.2	10.2	9.6	8.9	
4,500				12.3	11.4	10.7	10.0

Table A7
MINIMUM THERMAL RESISTANCE
OF WING INSULATION, R_{hc} ,
FOR USE AT CORNERS
(16" FOOTING DEPTH)

F_n ($^{\circ}\text{F}\cdot\text{day}$)	L_c (in)	R-values For Various Wing Widths At Corners, D_{hc} (inches)					
		16	24	30	36	42	48
2,250 or less	0	0.0					
2,625	40	6.5	4.9	4.0			
3,000	40	9.6	8.6	8.0	7.4		
3,375	60		11.1	10.5	9.8	9.1	
3,750	60		13.1	12.5	12.0	11.2	10.8
4,125	60			14.5	13.7	13.0	12.5
4,500	80				15.9	15.1	14.8

Table A8
MINIMUM THERMAL RESISTANCE, R_g , OF GROUND INSULATION
AND HORIZONTAL EXTENSION, D_g , FOR UNHEATED BUILDINGS

Mean Annual Temperature (°F):		32	36	38	40	≥ 41
F_n (°F-day):	D_g (inches):					
750 or less	30	5.7	5.7	5.7	5.7	5.7
1,500	49	13.1	9.7	8.5	8.0	6.8
2,250	63	19.4	15.9	13.6	11.4	10.2
3,000	79	25.0	21.0	18.2	15.3	14.2
3,750	91	31.2	26.1	22.7	--	--
4,500	108	37.5	31.8	--	--	--

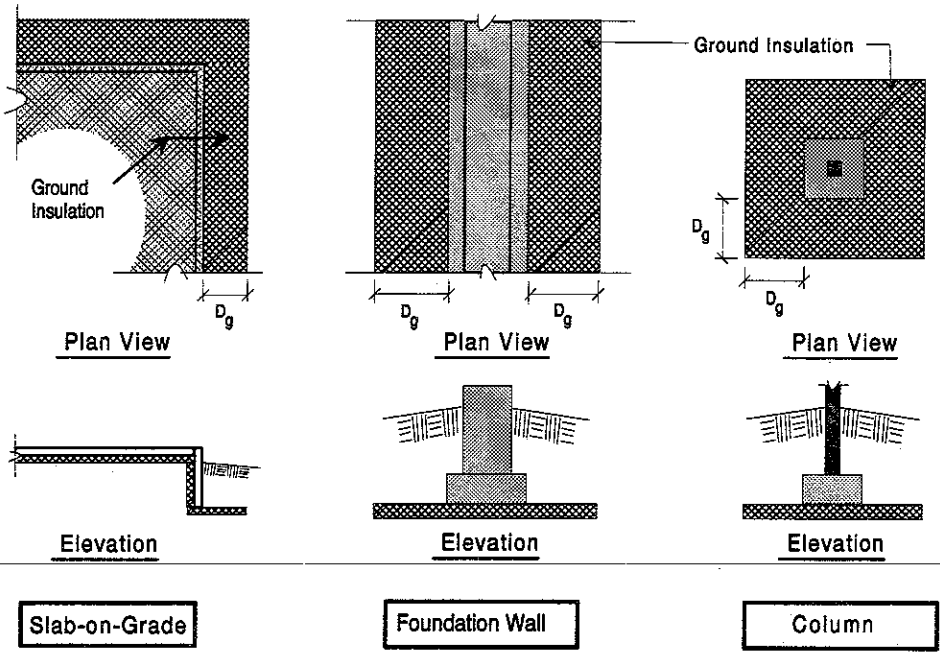
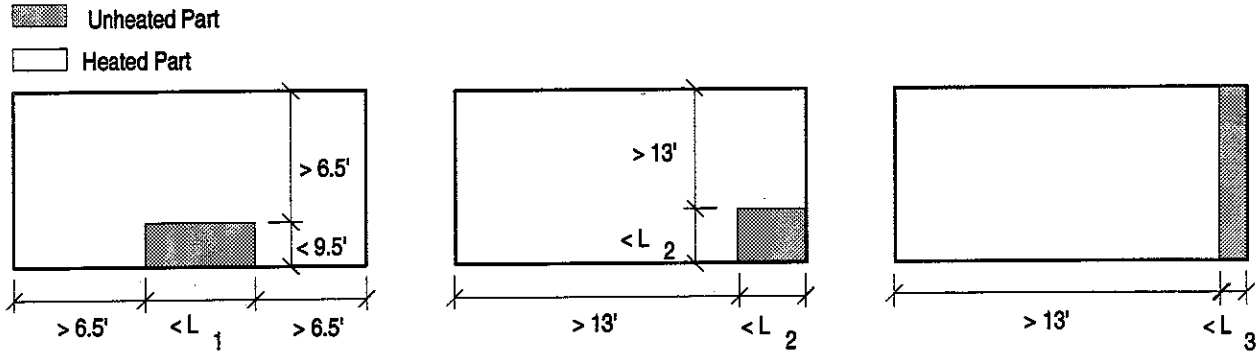


Figure A3. Ground insulation applications and requirements.

Appendix: Design Data



Maximum Size Limit	F_{dim} ($^{\circ}F$ -days)			
	$\leq 2,250$	2,250 to 3,000	3,000 to 3,750	$\geq 3,750$
L_1	13'-0"	11'-6"	10'-0"	6'-6"
L_2	9'-9"	8'-8"	7'-6"	4'-11"
L_3	6'-6"	5'-10"	5'-0"	3'-3"

Figure A4. Definition of a small unheated part of a floor slab.

